

## 900 Control Station Backlight

<u>Order Part No.</u>	<u>Qty.</u>	<u>Description</u>
50038818-501	1	Backlight assembly

**Document Number** Form: 51-52-33-161  
Effective Date: 4/24/2009

---

### Admonishments

**⚠ CAUTION** Backlight is not field replaceable for hazardous location applications. Unit must be returned to Honeywell.

**⚠ WARNING** EXPLOSION HAZARD - Do not disconnect equipment unless power has been disconnected and the area is known to be non-hazardous.

**⚠ WARNING** EXPLOSION HAZARD - The area must be known to be non-hazardous before servicing/ replacing the unit and before installing or removing I/O, inverter, backlight, wiring and battery.

**⚠ CAUTION** RISK OF ELECTRIC SHOCK - The inverter board supplies the high voltage to operate the backlight. Touching the inverter board may result in injury to personnel. Disconnect all power before installing or removing backlight assembly.

## Procedure

- | Step | Action  |
|------|---|
| 1    | Remove the power and connectors from the unit.  |
| 2    | Remove the five screws from the rear cover.   |
| 3    | Locate the inverter board (refer to Figure 1).  |
| 4    | Carefully remove heat shrink tubing from the backlight connector on the inverter board.   |
| 5    | Carefully remove the backlight connector from its connector housing on the inverter board. (refer to Figure 1).   |
| 6    | Depress the backlight release tab and carefully remove the backlight as indicated in Figure 2.  |
| 7    | To install the new backlight assembly, reverse the above steps. Ensure that the florescent tubes of the backlight assembly face towards the display. Use caution when inserting the new assembly so that it is not twisted or pushed on an angle. The backlight assembly is fragile and may easily be broken. |
| 8    | Field replacement of the backlight assembly voids the Hazardous Locations rating of this unit. Apply a blank label over the UL hazardous location information on the rear cover.  |

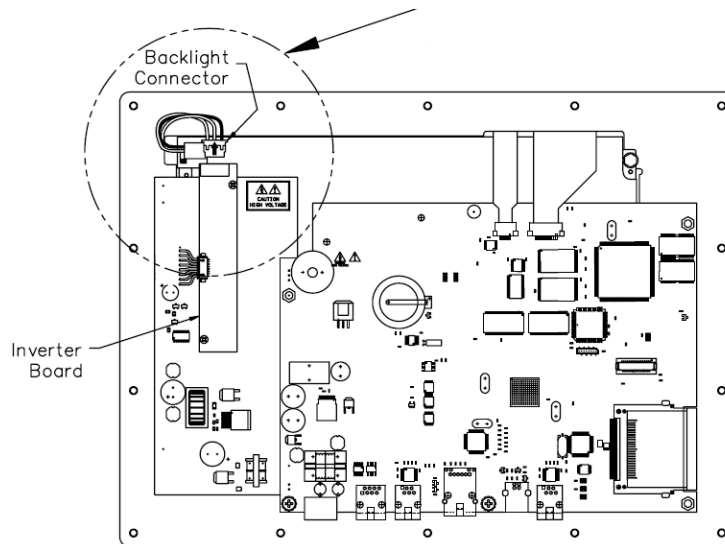


Figure 1

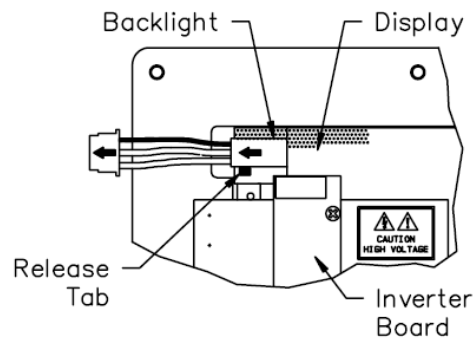


Figure 2