

# ST 3000 Smart Pressure Transmitter Series 100 Absolute Pressure Models Specifications

34-ST-03-61 June 2011



## Introduction

In 1983, Honeywell introduced the first Smart Pressure Transmitter—the ST 3000®. In 1989, Honeywell launched the first all digital, bi-directional protocol for smart field devices. Today, its ST 3000 Series 100 Absolute Pressure Transmitters continue to bring proven “smart” technology to a wide spectrum of measurement applications. Honeywell In-line (STA12L, STA14L and STA17L) and single head (STA122 and STA140) absolute pressure transmitters are used in applications in which high accuracy in the vacuum range of pressure is needed to include low-pressure measurement in vacuum distillation columns, where energy savings are directly proportional to the vacuum in the column. Honeywell transmitters can be used in a wide spectrum of hazardous environments in perfect safety to provide proven, repeatable pressure measurements.

Models		
STA122 / STA12L	0 to 780 mHgA	0 to 1,040 mbarA
STA140 / STA14L	0 to 500 psia	0 to 35 barA
STA17L	0 to 3,000 psia	0 to 206.8 bar A

All ST 3000 transmitters can be ordered to provide one of the following output communication options.

Communications options
4-20 mA
Honeywell Digitally Enhanced (DE)
HART® (versions 5.x or 6.x)
FOUNDATION™ Fieldbus

When digitally integrated with Honeywell’s Experion® Process Knowledge System or other TDC/TPS systems, ST 3000 instruments provides local measurement accuracy to the system level without adding typical A/D and D/A converter inaccuracies as well as providing advantages from the many other on-board advanced diagnostic features.



**Figure 1 -**  
On the right is Model STA122 and STA140 and on the left are Models STA12L, STA14L and STA17L. All Series 100 Absolute Pressure Transmitters feature field-proven piezoresistive sensor technology

Honeywell’s high-performance ST 3000 S100 transmitters lead the industry in:

- Accuracy
- Reliability
- Rangeability
- Warranty

ST 3000 Lifetime™ Transmitter Benefits
Total Accuracy = ±0.0375%
Reliability = 470 years MTBF
Rangeability = up to 400 to 1
Lifetime Warranty = 15 years

The devices provide comprehensive self-diagnostics to help users maintain high uptime, meet regulatory requirements, and attain high quality standards. S100 transmitters are ideal for critical applications, such as custody transfer of natural gas and energy and material balances, where accuracy and stability are important.

### Description

The ST 3000 transmitter can replace any 4 to 20 mA output transmitter in use today and operates over a standard two-wire system.

The measuring means is a piezoresistive sensor, which actually contains three sensors in one. It uses a differential pressure sensor, a temperature sensor and a static pressure sensor in delivering the most comprehensive compensated output signal available today.

Microprocessor-based electronics provide higher span-turndown ratio, improved temperature and pressure compensation, and improved accuracy.

The transmitter's meter body and electronics housing resist shock, vibration, corrosion, and moisture. The electronics housing contains a compartment for the single-board electronics, which is isolated from an integral junction box. The single-board electronics is replaceable and interchangeable with any other ST 3000 Series 100 or Series 900 model transmitters.

### Advanced Diagnostics

ST 3000 is now available for both HART<sup>®</sup> 6 and Foundation<sup>™</sup> Fieldbus with advanced diagnostics that minimize unplanned plant outages, minimize maintenance costs and by providing the industry's most reliable transmitter.

- Provide advanced warning of possible failure events and avoid costly shutdowns.
- Three levels of failure reporting
- Comprehensive list of on-board diagnostics (Ref. ST 3000 User manual with HART<sup>®</sup> 6, 34-ST-25-17 Rev: June 09 and Foundation<sup>™</sup> Fieldbus option manual 34-ST-25-15 Rev: June 09)

### Configuration Tools

Like other Honeywell transmitters, the ST 3000 features two-way communication and configuration capability between the operator and the transmitter through several Honeywell field-rated portable configuration devices, including the Smart Field Communicator (SFC) and the Multiple Communication Configurator (MC ToolKit). While both are made for in-field use, the MC Toolkit also can be ordered for use in intrinsically safe, Class I, Div. 1 environments.

The SCT 3000 Smartline<sup>®</sup> Configuration Toolkit provides an easy way to configure instruments using a personal computer as the configuration interface. The toolkit enables configuration of devices before shipping or prior to field installation. The SCT 3000 can operate in the off-line mode to pre-configure an unlimited number of devices. This database can then be loaded down-line during instrument commissioning.

### Features

- Choice of linear or square root output conformity is a simple configuration selection.
- Direct digital integration with Experion PKS and other control systems provides local measurement accuracy to the system level without adding typical A/D and D/A converter inaccuracies.
- Unique piezoresistive sensor automatically compensates input for real-world temperature and static pressure variations.
- Added "smart" features include configuring lower and upper range values, simulating accurate analog output, and selecting preprogrammed engineering units for display.
- Smart transmitter capabilities with local or remote interfacing means significant manpower efficiency improvements in commissioning, start-up, and ongoing maintenance functions.
- ST 3000 transmitters feature full Dual-Seal certification based on ANSI/NFPA 70-202 and ANSI/ISA 12.27.01 requirements without the use of additional seal protection elements.
- ST 3000 transmitters are available fully compliant to SIL 2/3 requirements as a standard option.

**Operating Conditions – All Models**

Parameter	Reference Condition		Rated Condition		Operative Limits		Transportation and Storage	
	°C	°F	°C	°F	°C	°F	°C	°F
<b>Ambient Temperature</b>	25±1	77±2	-40 to 85	-40 to 185	-40 to 93	-40 to 200	-55 to 125	-67 to 257
<b>Meter Body Temperature</b>								
STA122/STA12L	25±1	77±2	See Figure 2		See Figure 2		-55 to 125	-67 to 257
STA140/STA14L	25±1	77±2	-40 to 80	-40 to 176	-40 to 80	-40 to 176	-55 to 125	-67 to 257
STA17L	25±1	77±2	-40 to 80	-40 to 176	-40 to 80	-40 to 176	-55 to 125	-67 to 257
<b>Humidity</b> <b>%RH</b>	10 to 55		0 to 100		0 to 100		0 to 100	
<b>Vacuum Region - Minimum Pressure</b>								
STA122/STA12L STA140/STA14L STA17L	See Figure 2. Operate within specifications above 25 mmHgA (33 mbarA). Short term exposure (2 hours at 70°C/158°F) to full vacuum will not result in damage.							
<b>Supply Voltage, Current, and Load Resistance</b>	<b>Voltage Range:</b> 10.8 to 42.4 Vdc at terminals <b>Current Range:</b> 3.0 to 21.8 mA <b>Load Resistance:</b> 0 to 1,440 ohms (as shown in Figure 3)							
<b>Maximum Allowable Working Pressure (MAWP)<sup>4</sup></b> (ST 3000 products are rated to Maximum Allowable Working Pressure. MAWP depends on Approval Agency and transmitter materials of construction.)	STA122/STA12L = 780 mmHgA, 1,040 mbarA STA140/STA14L = 500 psia, 34.47 barA STA17L = 3,000 psia, 206.8 bar A Units can withstand overpressure of 1.5x MAWP without damage.							

<sup>4</sup> Consult factory for MAWP of ST 3000 transmitters with CSA approval.

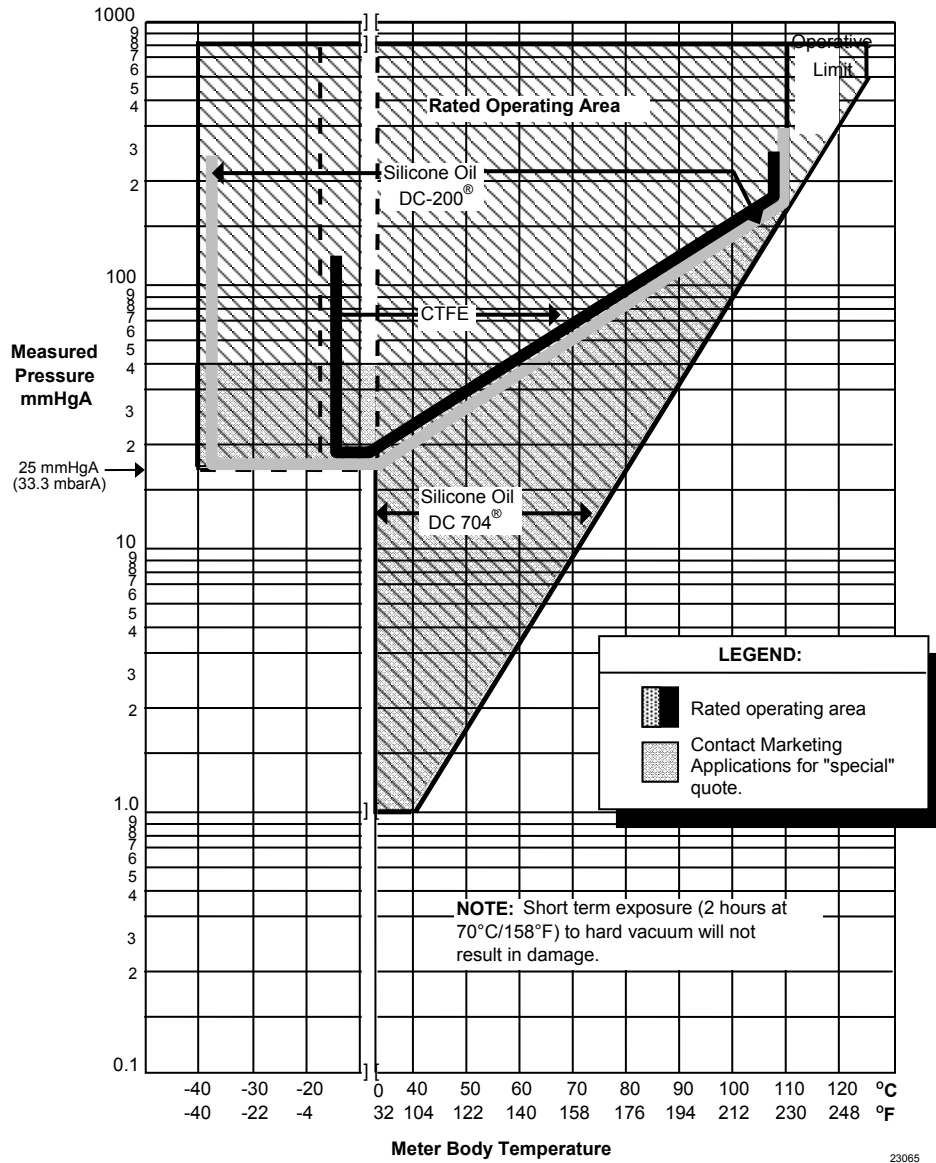


Figure 2 - Measured pressure versus meter body temperature chart for model STA122/STA12L

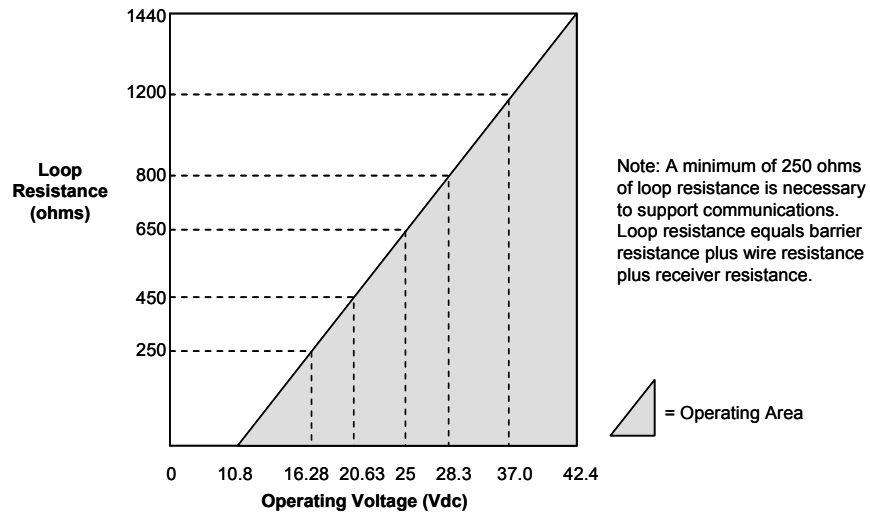


Figure 3 - Supply voltage and loop resistance chart

**Performance Under Rated Conditions\* - Model STA122 (0 to 780 mmHgA)**

Parameter		Description
<b>Upper Range Limit</b>	<b>mmHgA mbarA</b>	780 (0°C/32°F is standard reference temperature for mmHg range.) 1,040
<b>Minimum Span</b>	<b>mmHgA mbarA</b>	50 67
<b>Turndown Ratio</b>		15 to 1
<b>Zero Suppression</b>		No limit except minimum span within 0 (absolute zero) to +100% URL.
<b>Accuracy</b> (Reference – Includes combined effects of linearity, hysteresis, and repeatability) <ul style="list-style-type: none"> <li>Accuracy includes residual error after averaging successive readings.</li> <li>For FOUNDATION™ Fieldbus use Digital Mode specifications.</li> <li>For HART® use Analog Mode specifications.</li> </ul>		<b>In Analog Mode:</b> ±0.075% of calibrated span or upper range value (URV), whichever is greater, terminal based. For URV below reference point (90 mmHgA), accuracy equals: $\pm \left[ 0.025 + 0.05 \left( \frac{90 \text{ mmHgA}}{\text{span mmHgA}} \right) \right] \text{ or } \pm \left[ 0.025 + 0.05 \left( \frac{120 \text{ mbarA}}{\text{span mbarA}} \right) \right] \text{ in \% of span}$ <b>In Digital Mode:</b> ±0.0625% of calibrated span or upper range value (URV), whichever is greater, terminal based. For URV below reference point (90 mmHgA), accuracy equals: $\pm \left[ 0.0125 + 0.05 \left( \frac{90 \text{ mmHgA}}{\text{span mmHgA}} \right) \right] \text{ or } \pm \left[ 0.0125 + 0.05 \left( \frac{120 \text{ mbarA}}{\text{span mbarA}} \right) \right] \text{ in \% of span}$
<b>Zero Temperature Effect per 28°C (50°F)</b>		<b>In Analog Mode:</b> ±0.1125% of calibrated span. For URV below reference point (300 mmHgA), effect equals: $\pm \left[ 0.0125 + 0.10 \left( \frac{300 \text{ mmHgA}}{\text{span mmHgA}} \right) \right] \text{ or } \pm \left[ 0.0125 + 0.10 \left( \frac{400 \text{ mbarA}}{\text{span mbarA}} \right) \right] \text{ in \% of span}$ <b>In Digital Mode:</b> ±0.10% of calibrated span. For URV below reference point (180 mmHgA), effect equals: $\pm 0.10 \left( \frac{300 \text{ mmHgA}}{\text{span mmHgA}} \right) \text{ or } \pm 0.10 \left( \frac{400 \text{ mbarA}}{\text{span mbarA}} \right) \text{ in \% of span}$
<b>Combined Zero and Span Temperature Effect per 28°C (50°F)</b>		<b>In Analog Mode:</b> ±0.175% of calibrated span. For URV below reference point (300 mmHgA), effect equals: $\pm \left[ 0.075 + 0.10 \left( \frac{300 \text{ mmHgA}}{\text{span mmHgA}} \right) \right] \text{ or } \pm \left[ 0.075 + 0.10 \left( \frac{400 \text{ mbarA}}{\text{span mbarA}} \right) \right] \text{ in \% of span}$ <b>In Digital Mode:</b> ±0.15% of calibrated span. For URV below reference point (180 mmHgA), effect equals: $\pm \left[ 0.05 + 0.10 \left( \frac{300 \text{ mmHgA}}{\text{span mmHgA}} \right) \right] \text{ or } \pm \left[ 0.05 + 0.10 \left( \frac{400 \text{ mbarA}}{\text{span mbarA}} \right) \right] \text{ in \% of span}$

\* Performance specifications are based on reference conditions of 25°C (77°F), 10 to 55% RH, and 316L Stainless Steel barrier diaphragm.

**Performance Under Rated Conditions\* - Model STA12L (0 to 780 mmHgA)**

Parameter	Description
<b>Upper Range Limit</b> <b>mmHgA</b> <b>mbarA</b>	780 (0°C/32°F is standard reference temperature for mmHg range.) 1,040
<b>Minimum Span</b> <b>mmHgA</b> <b>mbarA</b>	50 67
<b>Turndown Ratio</b>	15 to 1
<b>Zero Suppression</b>	No limit except minimum span within 0 (absolute zero) to +100% URL.
<b>Accuracy</b> (Reference – Includes combined effects of linearity, hysteresis, and repeatability) <ul style="list-style-type: none"> <li>• Accuracy includes residual error after averaging successive readings.</li> <li>• For FOUNDATION™ Fieldbus use Digital Mode specifications.</li> <li>• For HART® use Analog Mode specifications.</li> </ul>	<b>In Analog Mode:</b> ±0.075% of calibrated span or upper range value (URV), whichever is greater, terminal based. For URV below reference point (90 mmHgA), accuracy equals: $\pm \left[ 0.025 + 0.05 \left( \frac{90 \text{ mmHgA}}{\text{span mmHgA}} \right) \right] \text{ or } \pm \left[ 0.025 + 0.05 \left( \frac{120 \text{ mbarA}}{\text{span mbarA}} \right) \right] \text{ in \% of span}$ <b>In Digital Mode:</b> ±0.0625% of calibrated span or upper range value (URV), whichever is greater, terminal based. For URV below reference point (90 mmHgA), accuracy equals: $\pm \left[ 0.0125 + 0.05 \left( \frac{90 \text{ mmHgA}}{\text{span mmHgA}} \right) \right] \text{ or } \pm \left[ 0.0125 + 0.05 \left( \frac{120 \text{ mbarA}}{\text{span mbarA}} \right) \right] \text{ in \% of span}$
<b>Zero Temperature Effect per 28°C (50°F)</b>	<b>In Analog Mode:</b> ±0.1625% of calibrated span. For URV below reference point (300 mmHgA), effect equals: $\pm \left[ 0.0125 + 0.15 \left( \frac{300 \text{ mmHgA}}{\text{span mmHgA}} \right) \right] \text{ or } \pm \left[ 0.0125 + 0.15 \left( \frac{400 \text{ mbarA}}{\text{span mbarA}} \right) \right] \text{ in \% of span}$ <b>In Digital Mode:</b> ±0.15% of calibrated span. For URV below reference point (180 mmHgA), effect equals: $\pm 0.15 \left( \frac{300 \text{ mmHgA}}{\text{span mmHgA}} \right) \text{ or } \pm 0.15 \left( \frac{400 \text{ mbarA}}{\text{span mbarA}} \right) \text{ in \% of span}$
<b>Combined Zero and Span Temperature Effect per 28°C (50°F)</b>	<b>In Analog Mode:</b> ±0.25% of calibrated span. For URV below reference point (180 mmHgA), effect equals: $\pm \left[ 0.1 + 0.15 \left( \frac{300 \text{ mmHgA}}{\text{span mmHgA}} \right) \right] \text{ or } \pm \left[ 0.1 + 0.15 \left( \frac{400 \text{ mbarA}}{\text{span mbarA}} \right) \right] \text{ in \% of span}$ <b>In Digital Mode:</b> ±0.2125% of calibrated span. For URV below reference point (300 mmHgA), effect equals: $\pm \left[ 0.075 + 0.15 \left( \frac{300 \text{ mmHgA}}{\text{span mmHgA}} \right) \right] \text{ or } \pm \left[ 0.075 + 0.15 \left( \frac{400 \text{ mbarA}}{\text{span mbarA}} \right) \right] \text{ in \% of span}$

\* Performance specifications are based on reference conditions of 25°C (77°F), 10 to 55% RH, and 316L Stainless Steel barrier diaphragm.

**Performance Under Rated Conditions\* - Model STA140/STA14L (0 to 500 psia)**

Parameter	Description
<b>Upper Range Limit</b> psia barA	500 35
<b>Minimum Span</b> psia barA	5 0.35
<b>Turndown Ratio</b>	100 to 1
<b>Zero Suppression</b>	No limit except minimum span within 0 (absolute zero) to +100% URL.
<b>Accuracy</b> (Reference – Includes combined effects of linearity, hysteresis, and repeatability) <ul style="list-style-type: none"> <li>• Accuracy includes residual error after averaging successive readings.</li> <li>• For FOUNDATION™ Fieldbus use Digital Mode specifications.</li> <li>• For HART® use Analog Mode specifications.</li> </ul>	<p><b>In Analog Mode:</b> ±0.075% of calibrated span or upper range value (URV), whichever is greater, terminal based.  For URV calibrated below reference point (20 psia), accuracy equals:</p> $\pm \left[ 0.025 + 0.05 \left( \frac{20 \text{ psia}}{\text{span psia}} \right) \right] \text{ or } \pm \left[ 0.025 + 0.05 \left( \frac{1.4 \text{ barA}}{\text{span barA}} \right) \right] \text{ in \% of span}$ <p><b>In Digital Mode:</b> ±0.0625% of calibrated span or upper range value (URV), whichever is greater, terminal based.  For URV calibrated below reference point (20 psia), accuracy equals:</p> $\pm \left[ 0.0125 + 0.05 \left( \frac{20 \text{ psia}}{\text{span psia}} \right) \right] \text{ or } \pm \left[ 0.0125 + 0.05 \left( \frac{1.4 \text{ barA}}{\text{span barA}} \right) \right] \text{ in \% of span}$
<b>Zero Temperature Effect per 28°C (50°F)</b>	<p><b>In Analog Mode:</b> ±0.0625% of calibrated span.  For URV below reference point (50 psia), effect equals:</p> $\pm \left[ 0.0125 + 0.05 \left( \frac{\text{Ref. span}^{**}}{\text{span psia}} \right) \right] \text{ or } \pm \left[ 0.0125 + 0.05 \left( \frac{\text{Ref. span}^{**}}{\text{span barA}} \right) \right] \text{ in \% of span}$ <p><b>In Digital Mode:</b> ±0.05% of calibrated span.  For URV below reference point (50 psia), effect equals:</p> $\pm 0.05 \left( \frac{\text{Ref. span}^{**}}{\text{span psia}} \right) \text{ or } \pm 0.05 \left( \frac{\text{Ref. span}^{**}}{\text{span barA}} \right) \text{ in \% of span}$
<b>Combined Zero and Span Temperature Effect per 28°C (50°F)</b>	<p><b>In Analog Mode:</b> ±0.10% of calibrated span.  For URV below reference point (50 psia), effect equals:</p> $\pm \left[ 0.05 + 0.05 \left( \frac{\text{Ref. span}^{**}}{\text{span psia}} \right) \right] \text{ or } \pm \left[ 0.05 + 0.05 \left( \frac{\text{Ref. span}^{**}}{\text{span barA}} \right) \right] \text{ in \% of span}$ <p><b>In Digital Mode:</b> ±0.075% of calibrated span.  For URV below reference point (50 psia), effect equals:</p> $\pm \left[ 0.025 + 0.05 \left( \frac{\text{Ref. span}^{**}}{\text{span psia}} \right) \right] \text{ or } \pm \left[ 0.025 + 0.05 \left( \frac{\text{Ref. span}^{**}}{\text{span barA}} \right) \right] \text{ in \% of span}$

\* Performance specifications are based on reference conditions of 25°C (77°F), 10 to 55% RH, and 316L Stainless Steel barrier diaphragm.

\*\* Reference span Model STA140: 50 PSIA/ 3.5 barA, Model STA14L: 75 PSIA/ 5.25 barA

**Performance Under Rated Conditions\* - Model STA17L (0 to 3,000 psia)**

Parameter	Description
<b>Upper Range Limit</b> psia barA	3,000 206.8
<b>Minimum Span</b> psia barA	30 2.07
<b>Turndown Ratio</b>	100 to 1
<b>Zero Suppression</b>	No limit except minimum span within 0 (absolute zero) to +100% URL.
<b>Accuracy</b> (Reference – Includes combined effects of linearity, hysteresis, and repeatability) <ul style="list-style-type: none"> <li>Accuracy includes residual error after averaging successive readings.</li> <li>For FOUNDATION™ Fieldbus use Digital Mode specifications.</li> <li>For HART® use Analog Mode specifications.</li> </ul>	<b>In Analog Mode:</b> ±0.075% of calibrated span or upper range value (URV), whichever is greater, terminal based. For URV calibrated below reference point (750 psia), accuracy equals: $\pm \left[ 0.025 + 0.05 \left( \frac{750 \text{ psia}}{\text{span psia}} \right) \right] \text{ or } \pm \left[ 0.025 + 0.05 \left( \frac{51.7 \text{ barA}}{\text{span barA}} \right) \right] \text{ in \% of span}$ <b>In Digital Mode:</b> ±0.0625% of calibrated span or upper range value (URV), whichever is greater, terminal based. For URV calibrated below reference point (750 psia), accuracy equals: $\pm \left[ 0.0125 + 0.05 \left( \frac{750 \text{ psia}}{\text{span psia}} \right) \right] \text{ or } \pm \left[ 0.0125 + 0.05 \left( \frac{51.7 \text{ barA}}{\text{span barA}} \right) \right] \text{ in \% of span}$
<b>Zero Temperature Effect per 28°C (50°F)</b>	<b>In Analog Mode:</b> ±0.1125% of calibrated span. For URV below reference point (500 psia), effect equals: $\pm \left[ 0.0125 + 0.10 \left( \frac{500 \text{ psia}}{\text{span psia}} \right) \right] \text{ or } \pm \left[ 0.0125 + 0.10 \left( \frac{34.47 \text{ barA}}{\text{span barA}} \right) \right] \text{ in \% of span}$ <b>In Digital Mode:</b> ±0.05% of calibrated span. For URV below reference point (500 psia), effect equals: $\pm 0.10 \left( \frac{500 \text{ psia}}{\text{span psia}} \right) \text{ or } \pm 0.10 \left( \frac{34.47 \text{ barA}}{\text{span barA}} \right) \text{ in \% of span}$
<b>Combined Zero and Span Temperature Effect per 28°C (50°F)</b>	<b>In Analog Mode:</b> ±0.175% of calibrated span. For URV below reference point (500 psia), effect equals: $\pm \left[ 0.075 + 0.10 \left( \frac{500 \text{ psia}}{\text{span psia}} \right) \right] \text{ or } \pm \left[ 0.075 + 0.10 \left( \frac{34.47 \text{ barA}}{\text{span barA}} \right) \right] \text{ in \% of span}$ <b>In Digital Mode:</b> ±0.075% of calibrated span. For URV below reference point (500 psia), effect equals: $\pm \left[ 0.05 + 0.10 \left( \frac{500 \text{ psia}}{\text{span psia}} \right) \right] \text{ or } \pm \left[ 0.05 + 0.10 \left( \frac{34.47 \text{ barA}}{\text{span barA}} \right) \right] \text{ in \% of span}$

\* Performance specifications are based on reference conditions of 25°C (77°F), 10 to 55% RH, and 316L Stainless Steel barrier diaphragm.



**Performance Under Rated Conditions – All Models**

<b>Parameter</b>	<b>Description</b>
<b>Output (two-wire)</b>	Analog : 4 to 20 mA (Normal signal range is $\geq 3.8$ mA and $\leq 20.5$ mA.) Digital communications: Honeywell DE mode, FOUNDATION™ Fieldbus or HART® protocol (selectable versions 5.x or 6.x available).
<b>Supply Voltage Effect</b>	0.005% span per volt.
<b>Damping Time Constant</b>	Adjustable from 0 to 32 seconds digital damping.
<b>NAMUR NE 43 Compliance (Option “NE”)</b>	Transmitter failure information is generated when the measuring information is invalid or no longer present. Failure information is transmitted as a current signal but outside the normal 4-20 mA measurement signal level. Transmitter failure values are: $\leq 3.6$ mA and $\geq 21.0$ mA. The normal signal range is $\geq 3.8$ mA and $\leq 20.5$ mA.
<b>SIL 2/3 Compliance (Option “SL”)</b>	SIL certified to IEC 61508 for non-redundant use in SIL 2 related Safety Systems (single use) and for redundant (multiple) use in SIL 3 Safety Systems through TÜV Nord Sys Tec GmbH & Co. KG under the following standards: IEC61508-1: 1998; IEC 61508-2: 2000; IEC61508-3: 1998.
<b>Lightning Protection Option (Option “LP”)</b>	Leakage Current: 10 microamps max. @ 42.4 VDC, 93°C Impulse Rating: 10/20 $\mu$ sec. 5,000 Amps (50 strikes) 10,000 Amps (20 strikes) (rise/decay) 10/1,000 $\mu$ sec. 250 Amps (1,000 strikes) 500 Amps (400 strikes)

### Physical and Approval Bodies

Parameter	Description
<b>Barrier Diaphragm Material</b>	STA122 / STA140: 316L SS, Hastelloy <sup>®</sup> C-276 <sup>2</sup> , Monel <sup>®</sup> 400 <sup>3</sup> STA12L / STA14L / STA17L: 316L SS, Hastelloy <sup>®</sup> and C276 <sup>2</sup>
<b>Process Head Material</b>	STA122 / STA140: : 316 SS <sup>4</sup> , Carbon Steel (Zinc-plated) <sup>5</sup> , Monel <sup>®</sup> 400 <sup>7</sup> , Hastelloy <sup>®</sup> C-276 <sup>6</sup> STA12L / STA14L / STA17L: 316 SS <sup>4</sup>
<b>Head Gaskets</b>	Viton <sup>®</sup> is standard. Teflon <sup>®</sup> is optional but not recommended for leak-proof service under full vacuum. Graphite is also optional – see MSG.
<b>Meter Body Bolting</b>	Carbon Steel (Zinc plated, standard) <sup>5</sup> or A286 SS (NACE) bolts and 304 SS (NACE) nuts for heads.
<b>Mounting Bracket</b>	Carbon Steel (Zinc-plated) <sup>5</sup> or Stainless Steel angle bracket or Carbon Steel flat bracket available.
<b>Fill Fluid</b>	Silicone DC <sup>®</sup> 200 oil or CTFE (Chlorotrifluoroethylene) Note that DC <sup>®</sup> 704 is available – Please contact Product Marketing.
<b>Electronic Housing</b>	Epoxy-Polyester hybrid paint. Low Copper-Aluminum. Meets NEMA 4X (watertight) and NEMA 7 (explosion proof). Stainless steel optional.
<b>Process Connections</b>	STA122 / STA140: 1/2-inch FNPT, 9/16-18 Aminco, DIN. STA12L / STA14L / STA17L: 1/2-inch F-NPT, 9/16-18 Aminco, DIN, ½ inch MNPT.
<b>Wiring</b>	Accepts up to 16 AWG (1.5 mm diameter).
<b>Mounting</b>	Can be mounted in virtually any position using the standard mounting bracket. Bracket is designed to mount on 2-inch (50 mm) vertical or horizontal pipe. See Figures 4 and 4a.
<b>Dimensions</b>	See Figures 5, 5a
<b>Net Weight</b>	Single Head Meter Body: 7.0 pounds (3.2 Kg) In-line Meter Body: 3.8 pounds (3.2 Kg)

<sup>2</sup> Hastelloy<sup>®</sup> C-276 or UNS N10276

<sup>3</sup> Monel<sup>®</sup> 400 or UNS N04400

<sup>4</sup> Supplied as 316 SS or as Grade CF8M, the casting equivalent of 316 SS.

<sup>5</sup> Carbon Steel heads are zinc-plated and not recommended for water service due to hydrogen migration. For that service, use 316 stainless steel wetted Process Heads.

<sup>6</sup> Hastelloy<sup>®</sup> C-276 or UNS N10276. Supplied as indicated or as Grade CW12MW, the casting equivalent of Hastelloy<sup>®</sup> C-276

<sup>7</sup> Monel<sup>®</sup> 400 or UNS N04400. Supplied as indicated or as Grade M30C, the casting equivalent of Monel<sup>®</sup> 400

**NOTE:** Pressure transmitters that are part of safety equipment for the protection of piping (systems) or vessel(s) from exceeding allowable pressure limits, (equipment with safety functions in accordance with Pressure Equipment Directive 97/23/EC article 1, 2.1.3), require separate examination.

### Certifications

	Type of Protection	Comm. Option	Field Parameters	Temp. Codes
<b>FM Approvals<sup>SM</sup></b>	<b>Explosionproof:</b> Class I, Division 1, Groups A, B, C, D locations <b>Dust Ignition Proof:</b> Class II, III, Division 1, Groups E, F, G locations, Enclosure Type 4X	All	All	T5 Ta = 93°C
	<b>Intrinsically Safe:</b>  Class I, II, III, Division 1, Groups A, B, C, D, E, F, G locations, Encl	4-20 mA / DE	Vmax = 42.4V Imax = 225mA Ci = 4.2nF Li = * Pi = 1.2W	T4 Ta = 93°C
		4-20 mA	Vmax = 30V Imax = 225mA Ci = 4.2nF Li = * Pi = 1.2W	T4 Ta = 93°C
	<b>Intrinsically Safe:</b>  Class I, II, III, Division 1, Groups A, B, C, D, E, F, G locations;  Class 1, Zone 0, AEx ia Group IIC, Enclosure Type 4X / IP 66/67	Fieldbus – Entity (Not FISCO)	Vmax = 32V Imax = 120mA Ci = 4.2nF Li = 0 Pi = 0.84W	T4 Ta = 40°C T3 Ta = 93°C
		Fieldbus – Entity (Not FISCO)	Vmax = 24V Imax = 250mA Ci = 4.2nF Li = 0 Pi = 1.2W	T4 Ta = 40°C T3 Ta = 93°C
		FISCO	Vmax = 17.5V Imax = 380mA Ci = 4.2nF Li = 0 Pi = 5.32W	T4 Ta = 40°C T3 Ta = 93°C
	<b>Nonincendive:</b>  Class I, Division 2, Groups A, B, C, D locations, Enclosure Type 4X	4-20 mA / DE	Vmax = 42.4V Imax = 225mA Ci = 4.2nF Li = * Pi = 1.2W	T4 Ta = 93°C
		4-20 mA / HART	Vmax = 30V Imax = 225mA Ci = 4.2nF Li = * Pi = 1.2W	T4 Ta = 93°C
	<b>Nonincendive:</b>  Class I, Division 2, Groups A, B, C, D;  Suitable for: Class II, Division 2, Groups F&G; Class III, Division 2; Class I, Zone 2, Group IIC, Enclosure Type 4X / IP 66/67	Fieldbus – Entity (Not FNICO)	Vmax = 32V Imax = 120mA Ci = 4.2nF Li = 0 Pi = 0.84W	T4 Ta = 40°C T3 Ta = 93°C
		Fieldbus – Entity (Not FNICO)	Vmax = 24V Imax = 250mA Ci = 4.2nF Li = 0 Pi = 1.2W	T4 Ta = 40°C T3 Ta = 93°C
		FNICO	Vmax = 32V Ci = 4.2nF Li = 0	T4 Ta = 40°C T3 Ta = 93°C

\*Li = 0 except Li = 150µH when Option ME, Analog Meter, is selected.

FM Approvals<sup>SM</sup> is a service mark of FM Global

	Type of Protection	Comm. Option	Field Parameters	Temp. Codes	
<b>Canadian Standards Association (CSA)</b>	<b>Explosion Proof:</b> Class I, Division 1, Groups B, C, D locations  <b>Dust Ignition Proof:</b> Class II, III, Division 1, Groups E, F, G locations, Enclosure Type 4X	All	All	T4 Ta = 93°C	
	<b>Intrinsically Safe:</b>  Class I, II, III, Division 1, Groups A, B, C, D, E, F, G locations, Enclosure Type 4X	4-20 mA / DE	Vmax = 42V Imax = 225mA Ci = 4.2nF Li = * Pi = 1.2W	T4 Ta = 93°C	
		4-20 mA / HART	Vmax = 42V Imax = 225mA Ci = 4.2nF Li = * Pi = 1.2W	T4 Ta = 93°C	
		Fieldbus – Entity (Not FISCO)	Vmax = 24V Imax = 250mA Ci = 4.2nF Li = 0 Pi = 1.2W	T4 Ta = 40°C T3 Ta = 93°C	
	<b>Nonincendive:</b>  Class I, Division 2, Groups A, B, C, D locations, Enclosure Type 4X	4-20 mA / DE	Vmax = 42.4V Imax = 225mA Ci = 4.2nF Li = * Pi = 1.2W	T4 Ta = 93°C	
		4-20 mA / HART	Vmax = 30V Imax = 225mA Ci = 4.2nF Li = * Pi = 1.2W	T4 Ta = 93°C	
		Fieldbus – Entity (Not FNICO)	Vmax = 24V Imax = 250mA Ci = 4.2nF Li = 0 Pi = 1.2W	T4 Ta = 40°C T3 Ta = 93°C	
	<b>Canadian Registration Number (CRN):</b>	All ST 3000 models except STG19L, STG99L, STG170 and STG180 have been registered in all provinces and territories in Canada and are marked CRN: 0F8914.5C.			

	Type of Protection	Comm. Option	Field Parameters	Temp. Codes
<b>IECEX International Electrotechnical Commission (LCIE)</b>	<b>Flameproof, Zone 1:</b> Ex d IIC, Enclosure IP 66/67	All	All	T5 Ta = -50 to 93°C T6 Ta = -50 to 78°C
	<b>Intrinsically Safe, Zone 0/1:</b> Ex ia IIC, Enclosure IP 66/67	4-20 mA / DE	U <sub>i</sub> = 30V I <sub>i</sub> = 100mA C <sub>i</sub> = 4.2nF L <sub>i</sub> = * P <sub>i</sub> = 1.2W	T4 Ta = -50 to 93°C T5 Ta = -50 to 85°C T6 Ta = -50 to 70°C
		4-20 mA / HART	U <sub>i</sub> = 30V I <sub>i</sub> = 100mA C <sub>i</sub> = 4.2nF L <sub>i</sub> = * P <sub>i</sub> = 1.2W	T4 Ta = -50 to 93°C T5 Ta = -50 to 63°C T6 Ta = -50 to 48°C
		Fieldbus (Not FISCO)	U <sub>i</sub> = 24V I <sub>i</sub> = 250mA C <sub>i</sub> = 4.2nF L <sub>i</sub> = 0 P <sub>i</sub> = 1.2W	T3 Ta = -50 to 93°C T4 Ta = -50 to 40°C

\* L<sub>i</sub> = 0 except L<sub>i</sub> = 150µH when Option ME, Analog Meter, is selected.

	Type of Protection	Comm. Option	Field Parameters	Temp. Codes
<b>SAEx (South Africa)</b>	<b>Flameproof, Zone 1:</b> Ex d IIC, Enclosure IP 66/67	All	All	T5 Ta = -50 to 93°C T6 Ta = -50 to 78°C
	<b>Intrinsically Safe, Zone 0/1:</b> Ex ia IIC, Enclosure IP 66/67	4-20 mA / DE	U <sub>i</sub> = 30V I <sub>i</sub> = 100mA C <sub>i</sub> = 4.2nF L <sub>i</sub> = * P <sub>i</sub> = 1.2W	T4 Ta = -50 to 93°C T5 Ta = -50 to 85°C T6 Ta = -50 to 70°C
		4-20 mA / HART	U <sub>i</sub> = 30V I <sub>i</sub> = 100mA C <sub>i</sub> = 4.2nF L <sub>i</sub> = * P <sub>i</sub> = 1.2W	T4 Ta = -50 to 93°C T5 Ta = -50 to 63°C T6 Ta = -50 to 48°C
		Fieldbus (Not FISCO)	U <sub>i</sub> = 24V I <sub>i</sub> = 250mA C <sub>i</sub> = 4.2nF L <sub>i</sub> = 0 P <sub>i</sub> = 1.2W	T3 Ta = -50 to 93°C T4 Ta = -50 to 40°C
	<b>Multiple Marking:</b> <b>Flameproof, Zone 1:</b> Ex d IIC, Enclosure IP 66/67  <b>Intrinsically Safe, Zone 0/1:</b> Ex ia IIC, Enclosure IP 66/67  <b>NOTE:</b> The user must determine the type of protection required for installation of the equipment. The user shall then check the box [√] adjacent to the type of protection used on the equipment certification nameplate. Once a type of protection has been checked on the nameplate, subsequently the equipment shall not be reinstalled using any of the other certification types.	4-20 mA / DE	U <sub>i</sub> = 30V I <sub>i</sub> = 100mA C <sub>i</sub> = 4.2nF L <sub>i</sub> = * P <sub>i</sub> = 1.2W	T4 Ta = -50 to 93°C T5 Ta = -50 to 85°C T6 Ta = -50 to 70°C
		4-20 mA / HART	U <sub>i</sub> = 30V I <sub>i</sub> = 100mA C <sub>i</sub> = 4.2nF L <sub>i</sub> = * P <sub>i</sub> = 1.2W	T4 Ta = -50 to 93°C T5 Ta = -50 to 63°C T6 Ta = -50 to 48°C
		Fieldbus (Not FISCO)	U <sub>i</sub> = 24V I <sub>i</sub> = 250mA C <sub>i</sub> = 4.2nF L <sub>i</sub> = 0 P <sub>i</sub> = 1.2W	T3 Ta = -50 to 93°C T4 Ta = -50 to 40°C

\* L<sub>i</sub> = 0 except L<sub>i</sub> = 150µH when Option ME, Analog Meter, is selected.

	Type of Protection	Comm. Option	Field Parameters	Temp. Codes
ATEX (LCIE)	<b>Flameproof, Zone 0:</b> Ⓔ II 1 D, Ex tD Enclosure IP 66/67	All	All	A20 IP6X T95°C Ta = 93°C or T80°C Ta = 78°C
	<b>Flameproof, Zone 1:</b> Ⓔ II 2 GD, Ex d IIC, Ex tD Enclosure IP 66/67	All	All	T5 Ta = -50 to +93°C T6 Ta = -50 to +78°C, A21 IP6X T95°C Ta = 93°C or T80°C Ta = 78°C
	<b>Intrinsically Safe, Zone 0/1:</b> Ⓔ II 1 G, Ex ia IIC, Enclosure IP 66/67	4-20 mA / DE	Ui = 30V Ii = 100mA Ci = 4.2nF Li = * Pi = 1.2W	T4 Ta = -50 to 93°C T5 Ta = -50 to 85°C T6 Ta = -50 to 70°C
		4-20 mA / HART	Ui = 30V Ii = 100mA Ci = 4.2nF Li = * Pi = 1.2W	T4 Ta = -50 to 93°C T5 Ta = -50 to 63°C T6 Ta = -50 to 48°C
		Fieldbus (Not FISCO)	Ui = 24V Ii = 250mA Ci = 4.2nF Li = 0 Pi = 1.2W	T3 Ta = -50 to 93°C T4 Ta = -50 to 40°C
	<b>Non-Sparking, Zone 2:</b> Ⓔ II 3 G, Ex nA IIC (Honeywell), Enclosure IP 66/67	4-20 mA / DE	Ui = 30V Ii = 100mA Ci = 4.2nF Li = * Pi = 1.2W	T4 Ta = -50 to 93°C T5 Ta = -50 to 85°C T6 Ta = -50 to 70°C
		4-20 mA / HART	Ui = 30V Ii = 100mA Ci = 4.2nF Li = * Pi = 1.2W	T4 Ta = -50 to 93°C T5 Ta = -50 to 63°C T6 Ta = -50 to 48°C
		Fieldbus (Not FNICO)	Ui = 24V Ii = 250mA Ci = 4.2nF Li = 0 Pi = 1.2W	T3 Ta = -50 to 93°C T4 Ta = -50 to 40°C
	<b>Multiple Marking:</b> <b>Flameproof, Zone 1:</b> Ⓔ II 2 G, Ex d IIC <b>Intrinsically Safe, Zone 0/1:</b> Ⓔ II 1 G, Ex ia IIC <b>Non-Sparking, Zone 2:</b> Ⓔ II 3 G, Ex nA IIC  <b>NOTE:</b> The user must determine the type of protection required for installation of the equipment. The user shall then check the box [ √ ] adjacent to the type of protection used on the equipment certification nameplate. Once a type of protection has been checked on the nameplate, subsequently the equipment shall not be reinstalled using any of the other certification types.	4-20 mA / DE	Ui = 30V Ii = 100mA Ci = 4.2nF Li = * Pi = 1.2W	T4 Ta = -50 to 93°C T5 Ta = -50 to 85°C T6 Ta = -50 to 70°C
		4-20 mA / HART	Ui = 30V Ii = 100mA Ci = 4.2nF Li = * Pi = 1.2W	T4 Ta = -50 to 93°C T5 Ta = -50 to 63°C T6 Ta = -50 to 48°C
		Fieldbus (Not FISCO/FNICO)	Ui = 24V Ii = 250mA Ci = 4.2nF Li = 0 Pi = 1.2W	T3 Ta = -50 to 93°C T4 Ta = -50 to 40°C

\* Li = 0 except Li = 150µH when Option ME, Analog Meter, is selected.

	Type of Protection	Comm. Option	Field Parameters	Temp. Codes
<b>INMETRO (CERTUSP) Brazil</b>	<b>Flameproof, Zone 1:</b> BR-Ex d IIC Enclosure IP 66/67	All	All	T5 Ta = -50 to 93°C T6 Ta = -50 to 78°C
	<b>Intrinsically Safe, Zone 0/1:</b> BR-Ex ia IIC Enclosure IP 66/67	4-20 mA / DE	U <sub>i</sub> = 30V I <sub>i</sub> = 100mA C <sub>i</sub> = 4.2nF L <sub>i</sub> = * P <sub>i</sub> = 1.2W	T4 Ta = -50 to 93°C T5 Ta = -50 to 85°C T6 Ta = -50 to 70°C
		4-20 mA / HART	U <sub>i</sub> = 30V I <sub>i</sub> = 100mA C <sub>i</sub> = 4.2nF L <sub>i</sub> = * P <sub>i</sub> = 1.2W	T4 Ta = -50 to 93°C T5 Ta = -50 to 63°C T6 Ta = -50 to 48°C
		Fieldbus (Not FISCO)	U <sub>i</sub> = 24V I <sub>i</sub> = 250mA C <sub>i</sub> = 4.2nF L <sub>i</sub> = 0 P <sub>i</sub> = 1.2W	T3 Ta = -50 to 93°C T4 Ta = -50 to 40°C

\*L<sub>i</sub> = 0 except L<sub>i</sub> = 150µH when Option ME, Analog Meter, is selected.

<b>ST 3000 Pressure Transmitter Marine Certificate (MT Option)</b>	This certificate defines the certifications covered for the ST 3000 Pressure Transmitter family of products, including the SMV 3000 Smart Multivariable Transmitter. It represents the compilation of the five certificates Honeywell currently has covering the certification of these products into marine applications.  For ST 3000 Smart Pressure Transmitter and SMV 3000 Smart Multivariable Transmitter
	<b>American Bureau of Shipping (ABS)</b> - 2009 Steel Vessel Rules 1-1-4/3.7, 4-6-2/5.15, 4-8-3/13 & 13.5, 4-8-4/27.5.1, 4-9-7/13. Certificate number: 04-HS417416-PDA
	<b>Bureau Veritas (BV)</b> - Product Code: 389:1H. Certificate number: 12660/B0 BV
	<b>Det Norske Veritas (DNV)</b> - Location Classes: Temperature D, Humidity B, Vibration A, EMC B, Enclosure C. For salt spray exposure; enclosure of 316 SST or 2-part epoxy protection with 316 SST bolts to be applied. Certificate number: A-11476
	<b>Korean Register of Shipping (KR)</b> - Certificate number: LOX17743-AE001
	<b>Lloyd's Register (LR)</b> - Certificate number: 02/60001(E1) & (E2)

<p><b>European Pressure Equipment Directive (PED) (97/23/EC)</b></p>	<p>The ST 3000 Smart Pressure Transmitters are in conformity with the essential requirements of the Pressure Equipment Directive.</p> <p>Honeywell ST 3000 Smart Pressure Transmitters are designed and manufactured in accordance with the applicable portions of Annex I, Essential Safety Requirements, and sound engineering practices. These transmitters have no pressurized internal volume, or have a pressurized internal volume rated less than 200 bar (2,900 psig), and/or have a maximum volume of less than 0.1 liter (Article 3, 1.1.(a) first indent, Group 1 fluids). Therefore, these transmitters are not subject to the essential requirements of the directive 97/23/EC (PED, Annex I) and shall not have the CE mark applied.</p> <p>For transmitters rated &gt; 200 bar (2,900 psig) &lt; 1,000 bar (14,500 psig) Honeywell maintains a technical file in accordance with Annex III, Module A, (internal production control) when the CE mark is required. Transmitter Attachments: Diaphragm Seals, Process Flanges and Manifolds comply with Sound Engineering Practice.</p> <p><b>NOTE:</b> Pressure transmitters that are part of safety equipment for the protection of piping (systems) or vessel(s) from exceeding allowable pressure limits, (equipment with safety functions in accordance with Pressure Equipment Directive 97/23/EC article 1, 2.1.3), require separate examination.</p> <p>A formal statement from TÜV Industry Service Group of TÜV America, Inc., a division of TÜV Süddeutschland, a Notified Body regarding the Pressure Equipment Directive, can be found at <a href="http://www.honeywell.com">www.honeywell.com</a>. A hard copy may be obtained by contacting a Honeywell representative.</p>
<p><b>CE Mark</b></p>	<p><b><i>Electro Magnetic Compatibility (EMC) (2004/108/EC)</i></b></p> <p>All Models: EN 50081-1: 1992; EN 50082-2:1995; EN 61326-1:1997 + A1, A2, and A3 – Industrial Locations</p>
<p><b>Measuring Instruments Directive (MID)</b></p>	<p>Measuring Instruments Directive (MID) (2004/22/EC) Applies only to STA17L (0-100 BAR) and STA14L (0-34.5 BAR) Temperature Range: Class 3 from -25 °C to + 55 °C</p>
<p><b>Recommended Frequency of Calibration</b></p>	<p>Honeywell recommends verifying the calibration of these devices once every four years.</p>
<p><b>Approved Manufacturing Locations</b></p>	<p>Honeywell Process Solutions - York, PA USA Honeywell (Tianjin) Limited – Tianjin, P.R. China Honeywell Automation India Ltd. – Pune 411013 India</p>

Foundation™ Fieldbus is a trademark of the Fieldbus Foundation.

HART® is a registered trademark of HART Communications Foundation.

Hastelloy® C-276 is a registered trademark of Haynes International.

Monel 400® is a registered trademark of Special Metals Corporation.

ST 3000® and Experion® are registered trademarks of Honeywell International Inc.

Viton® is a registered trademark of DuPont

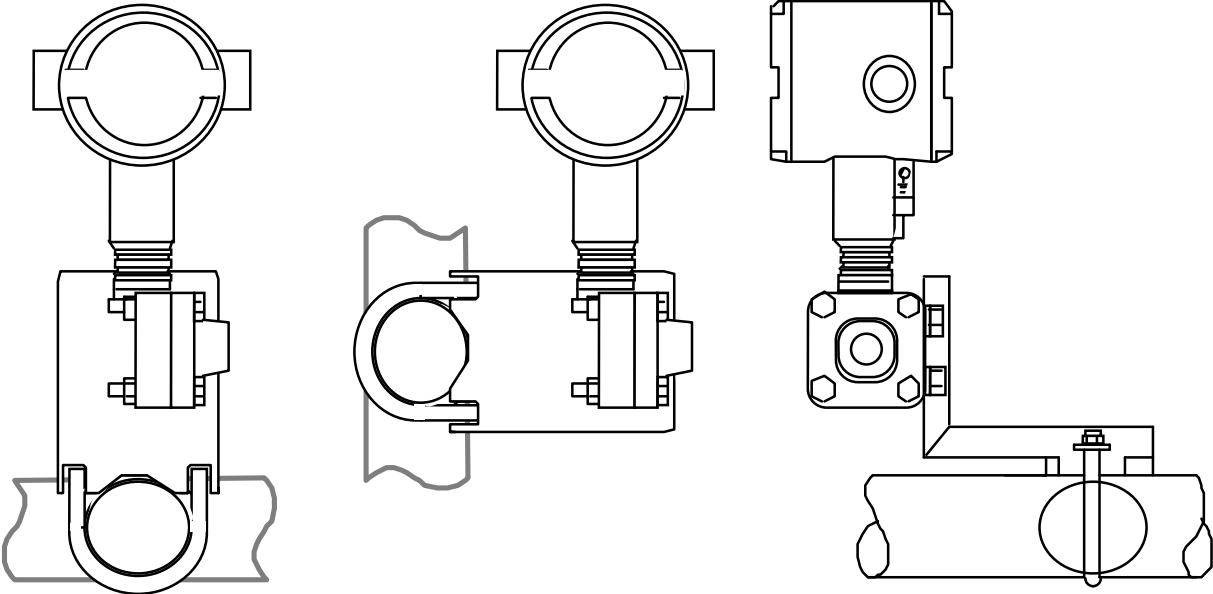
Teflon® is a registered trademark of DuPont.

DC® 200 and DC® 704 are registered trademark of Dow Corning.

FM Approvals<sup>SM</sup> is a service mark of FM Global

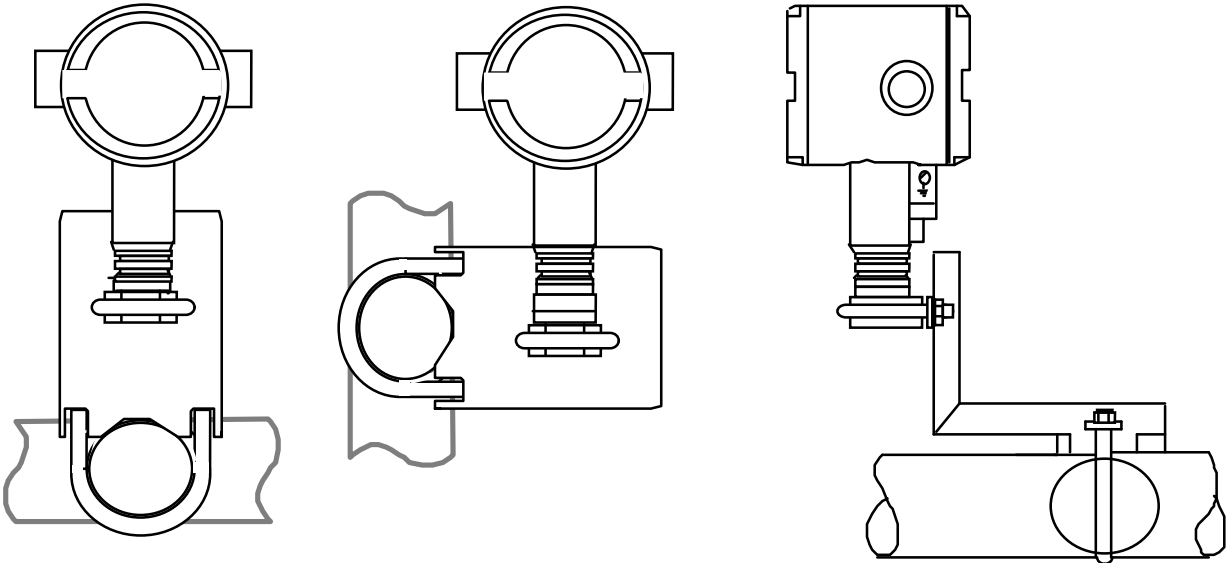


**Mounting**



24267

**Figure 3** - Examples of typical mounting positions for single-head models STA122 and STA140.

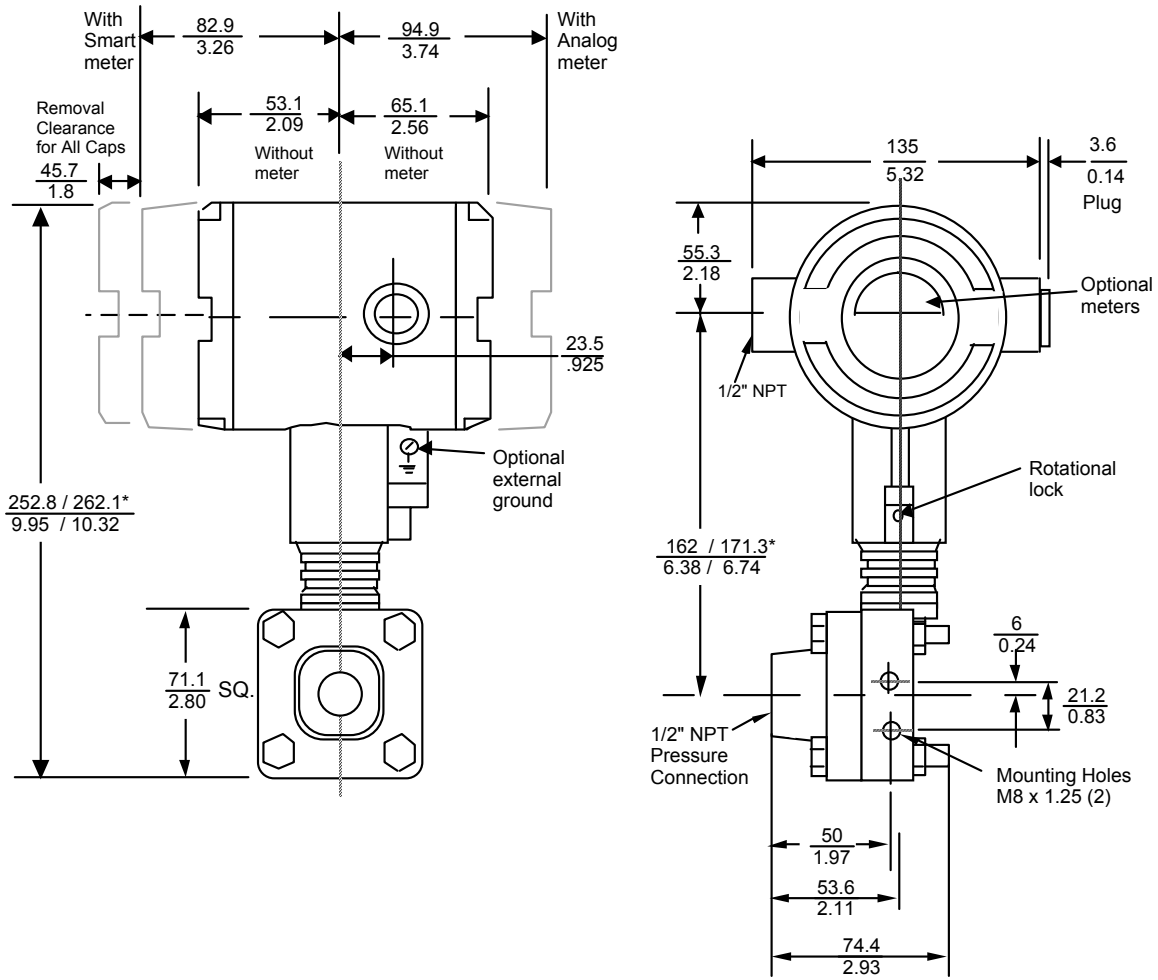


24268

**Figure 4** - Examples of typical mounting positions for in-line models STA12L, STA14L and STA17L  
Note that a mounting bracket is not required for in-line models.

**Reference Dimensions**

millimeters  
inches



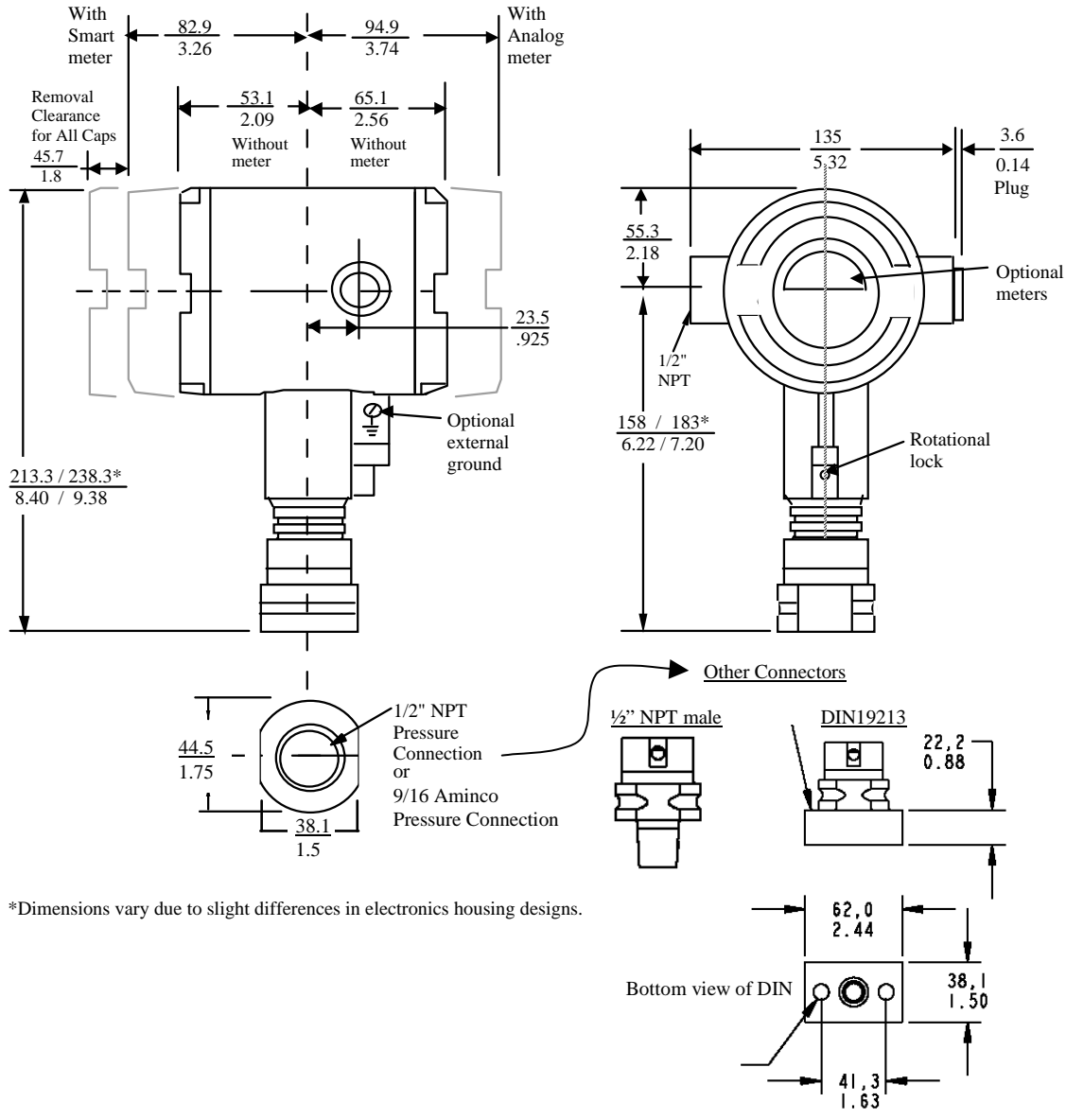
\*Dimensions vary due to slight differences in electronics housing designs.

24269

**Figure 5** - Typical mounting dimensions for single-head models STA122 and STA140 for reference

**Reference Dimensions**

millimeters  
inches



\*Dimensions vary due to slight differences in electronics housing designs.

**Figure 6** - Typical mounting dimensions for in-line models STA12L, STA14L and STA17L for reference.

## Options

- **High Accuracy (Option HA)**  
Extends applicable S100 models to  $\pm 0.025\%$  analog reference accuracy.
- **Mounting Bracket (Options MB, MX, SB, SX, FB)**  
The mounting bracket is available in either zinc-plated carbon steel or stainless steel and is suitable for horizontal or vertical mounting on a two inch (50 millimeter) pipe, as well as wall mounting. An optional flat mounting bracket is also available in carbon steel for two inch (50 millimeter) pipe mounting. An option also exists for Marine approved mounting brackets used with Marine certification options.
- **Indicating Meter (Options ME and SM)**  
Two integral meter options are available. An analog meter (option ME) is available with a dual 0 to 10 square root and 0 to 100% linear scale. The Smart Meter (option SM) provides an LCD display for both analog and digital output and can be configured to display pressure in selected engineering units.
- **HART<sup>®</sup> Output Protocol (Options HC and H6)**  
Optional electronic modules for the ST 3000 provide HART Protocol compatibility in either HART 5.x or 6.x formats. Transmitters with a HART Option are compatible with any HART enabled system that provides 5.x or 6.x format support.
- **Foundation<sup>™</sup> Fieldbus Output (Option FF)**  
Equips transmitter with FF protocol for use in 31.25 kbit/s FF networks. See document 34-ST-03-72 for additional information on ST 3000 Fieldbus transmitters.
- **SIL2/SIL3 Certification (Option SL)**  
This ST 3000 product is available for use with safety systems. With the SL option, we are fully certified to SIL 2 capability for single transmitters and SIL 3 capability for multiple transmitter use through TÜV Nord Sys Tec GmbH & Co. KG. We are in compliance with the following SIL standards:
  - IEC 61508-1: 1998;
  - IEC 61508-2: 2000;
  - IEC 61508-3: 1998
- **Lightning Protection (Option LP)**  
A terminal block is available with circuitry that protects the transmitter from transient surges induced by nearby lightning strikes.
- **NAMUR NE43 Compliance (Option NE)**  
This option provides software that meets the NAMUR NE43 requirements for failsafe software. Transmitter failure information is generated when the measuring information is no longer valid.  
  
Transmitter failure values are  $\leq 3.6$  mA and  $\geq 21.0$  mA.  
The normal ST 3000 ranges are  $\leq 3.8$  mA and  $\geq 20.5$  mA.
- **Write Protection (Options WP and WX)**  
Provides the capability to hardwire write-protect installed transmitter configurations.
- **Stainless Steel Tagging (Option TG)**  
Up to 30 characters can be added on the stainless steel nameplate mounted on the transmitter's electronics housing at no extra cost. A stainless steel wired on tag with additional data of up to 4 lines of 28 characters is also available. The number of characters for tagging includes spaces.
- **Transmitter Configuration (Options TC and FC)**  
With Option TC, the factory can configure the analog, DE or HART transmitter's linear/square root extraction, damping time, LRV, URV and mode (analog/digital) and enter an ID tag of up to eight characters and scratchpad information as specified.  
  
With Option FC, the Device ID, Transmitter Tag, Unit Level Node Address, Output Mode and Damping Time Constants can be specified.
- **Custom Calibration and ID in Memory (Option CC)**  
The factory can calibrate any range within the scope of the transmitter's range and enter an ID tag of up to eight characters in the transmitter's memory.
- **Indicator Configuration (Option CI)**  
Provides custom configuration of Smart Meters
- **Lifetime Warranty (Option WL)**  
Extends limited 1-year warranty policy to 15 years for ST 3000 S100 pressure transmitters. See Honeywell Terms and Conditions.

## Ordering information

For application assistance, current specifications, pricing, or name of the nearest Authorized Distributor, contact one of the offices below. Or, visit Honeywell on the World Wide Web at: <http://www.honeywell.com>.

### ASIA PACIFIC

**Control Products**  
Asia Pacific Headquarters  
Phone: +(65) 6355-2828  
Fax: +(65) 6445-3033

### Asia Pacific Global Technical Support Field Instruments

Phone: +65 6580 3156  
Fax: +65 6445-3033

### Process Instruments

Phone: (603) 76950 4777  
Fax: (603) 7958 8922

### Australia

Honeywell Limited  
Phone: +(61) 7-3846 1255  
FAX: +(61) 7-3840 6481  
Toll Free 1300-36-39-36  
Toll Free Fax:  
1300-36-04-70

### China – PRC - Beijing

Honeywell China Inc.  
Phone: +(86-10) 8458-3280  
Fax: +(86-10) 8458-4650

### China – PRC - Shanghai

Honeywell China Inc.  
Phone: (86-21) 5257-4568  
Fax: (86-21) 6237-2826

### China – PRC - Chengdu

Honeywell China Inc.  
Phone: +(86-28) 8678-6348  
Fax: +(86-28) 8678-7061

### China – PRC - Xi'an

Honeywell China Ltd - Xi'an.  
Phone: +(86-29) 8833-7490  
Fax: +(86-29) 8833-7489

### China – PRC - Shenzhen

Honeywell China Inc.  
Phone: +(86) 755-2518-1226  
Fax: +(86) 755-2518-1221

### Indonesia

PT Honeywell Indonesia  
Phone: +(62) 21-535-8833  
FAX: +(62) 21-5367 1008

### India

Automation India Ltd.  
Honeywell Ltd.  
Phone: +(91) 5603-9400  
Fax: +(91) 5603-9600

### Japan

Honeywell Inc.  
Phone: +(81) 3 6730 7150  
Fax: +(81) 3 6730 7228

### Malaysia

Honeywell Engineering  
Sdn Bhd  
Phone: +(60-3) 7950-4776  
Fax: +(60-3) 7958-8922

### New Zealand

Honeywell Limited  
Phone: +(64-9) 623-5052  
Fax: +(64-9) 623-5060  
Toll Free (0800) 202-088

### Philippines

Honeywell Systems  
(Philippines) Inc.  
Phone: +(63-2) 633-2830-31/  
636 1661-62  
Fax: +(63-2) 638-4013

### Singapore

Honeywell Pte Ltd.  
Phone: +(65) 6580 3278  
Fax: +(65) 6445-3033

### South Korea

Honeywell Korea Co Ltd  
Phone: +(822) 799 6315  
Fax: +(822) 792 9015

### Thailand

Honeywell Systems  
(Thailand) Ltd.  
Phone: +(662) 693-3099  
FAX: +(662) 693-3089

### Taiwan R.O.C.

Honeywell Taiwan Ltd.  
Phone: +(886-2) 2245-1000  
FAX: +(886-2) 2245-3241

### SE Asia Countries

see Honeywell Pte Ltd  
(Singapore)  
for:  
Pakistan  
Cambodia  
Guam  
Laos  
Myanmar  
Vietnam  
East Timor

### SE Asia Countries

see Honeywell Automation  
India Ltd for:  
Bangladesh  
Nepal  
Sri Lanka

## EUROPE

### Austria

Honeywell Austria GmbH  
Phone: +43 (316)400123  
FAX: +43 (316)40017

### Belgium

Honeywell SA/NV  
Phone: +32 (0) 2 728 24 07  
FAX: +32 (0) 2 728 22 45

### Bulgaria

Honeywell EOOD  
Phone: +(359) 2 40 20 900  
FAX: +(359) 2 40 20 990

### Czech Republic

Honeywell spol. s.r.o.  
Phone: +420 242 442 232  
FAX: +420 242 442 131

### Denmark

Honeywell A/S  
Phone: +(45) 39 55 55 55  
FAX: +(45) 39 55 55 58

### Finland

Honeywell OY  
Phone: +358 (0) 20752 2753  
FAX: +358 (0) 20752 2751

### France

Honeywell SA  
Phone: +33 (0)1 60198075  
FAX: +33 (0)1 60198201

### Germany

Honeywell AG  
Phone: +49 (69)8064-299  
FAX: +49 (69)806497336

### Hungary

Honeywell Kft.  
Phone: +36-1-451 4300  
FAX: +36-1-451 4343

### Italy

Honeywell S.p.A.  
Phone: +39 02 92146 307/  
395  
FAX: +39 0292146377

### The Netherlands

Honeywell B.V.  
Phone: +31 (0) 20 5656200  
FAX: +31 (0) 20 5656210

### Norway

Honeywell A/S  
Phone: (45) 39 55 55 55

### Poland

Honeywell Sp. zo.o  
Phone: +48-22-6060900  
FAX: +48-22-6060901

### Portugal

Honeywell Portugal Lda  
Phone: +351 21 424 5000  
FAX: +351 21 424 50 99

### Romania

Honeywell Bucharest  
Phone: +40 (0) 21 2316437  
FAX: +40 (0) 21 2316439

### Russian Federation (RF),

Honeywell Field Solutions  
Kievskaya str., 7,  
Moscow 121059, Russia  
Phone +7 (495) 796 98 60  
Fax +7 (495) 797 99 64

### Slovak Republic

Honeywell s.r.o.  
Phone: +421-2-58247 410  
FAX: +421-2-58247 415

### Spain

Honeywell S.A.  
Phone: +34 (0)91313 61 00  
FAX: +34 (0)91313 61 30

### Sweden

Honeywell AB  
Phone: +(46) 8 775 55 00  
FAX: +(46) 8 775 56 00

### Switzerland

Honeywell AG  
Phone: +41 18552448  
FAX: +(41) 1 855 24 45

### Turkey

Honeywell Turkey A.S.  
Phone: +90 216 578 71 00  
FAX: +90 216 575 66 35

### Ukraine

Honeywell  
Tel: +380-44-201 44 74  
Fax: +380-44-201-44-75

### United Kingdom

Honeywell Control Systems  
Ltd.  
Phone: +44 (0)1344 655251  
FAX: +44 (0) 1344 655554

## MIDDLE EAST

### Abu Dhabi U A E

Middle East Headquarters  
Honeywell Middle East Ltd.  
Phone: +971 2 4041246  
FAX: +971 2 4432536

### Sultanate of Oman

Honeywell & Co Oman LLC  
Phone: +968 24 701153/  
Ext.33  
FAX +968 24 787351

### Saudia Arabia

Honeywell Turki Arabia Ltd  
**Jubail Office**  
Phone: +966-3-341-0140  
Fax: +966-3-341-0216  
Honeywell - ATCO  
**Dammam Office**  
Phone: 0096638304584  
Fax: 0096638338059

### Kuwait

Honeywell Kuwait KSC  
Phone: +965 242 1327 to 30  
Fax: +965 242 8315  
and  
Phone: +965 326 2934/1821  
Fax: +965 326 1714

## AFRICA

### Mediterranean & African Distributors

Honeywell SpA  
Phone: +39 (02) 250 10 604  
FAX: +39 (02) 250 10 659

### South Africa (Republic of) and sub saharan

Honeywell Southern Africa  
Honeywell S.A. Pty. Ltd.  
Phone: +27 11 6958000  
FAX +27 118051504

## NORTH AMERICA

### Canada

Honeywell LTD  
Phone: 1-800-737-3360  
FAX: 1-800-565-4130

### USA

Honeywell Process Solutions,  
Phone: 1-800-423-9883  
Or 1-800-343-0228  
Email: [ask-ssc@honeywell.com](mailto:ask-ssc@honeywell.com)

## SOUTH AMERICA

### Argentina

Honeywell S.A.I.C.  
Phone: +(54-11) 4383-3637  
FAX: +(54-11) 4325-6470

### Brazil

Honeywell do Brasil & Cia  
Phone: +(55-11) 7266-1900  
FAX: +(55-11) 7266-1905

### Chile

Honeywell Chile, S.A.  
Phone: +(56-2) 233-0688  
FAX: +(56-2) 231-6679

### Mexico

Honeywell S.A. de C.V.  
Phone: +(52) 55 5259-1966  
FAX: +(52) 55 5570-2985

### Puerto Rico

Honeywell Inc.  
Phone: +(809) 792-7075  
FAX: +(809) 792-0053

### Trinidad

Honeywell Inc.  
Phone: +(868) 624-3964  
FAX: +(868) 624-3969

### Venezuela

Honeywell CA  
Phone: +(58-2) 238-0211  
FAX: +(58-2) 238-3391

Specifications are subject to change without notice.

Model Selection Guides are subject to change and are inserted into the specifications as guidance only. Prior to specifying or ordering a model check for the latest revision Model Selection Guides which are published at: <http://hpsweb.honeywell.com/Cultures/en-US/Products/Instrumentation/ProductModelSelectionGuides/default.htm>

**Model Selection Guide**



34-ST-16U-03  
Issue 57  
Page 1 of 4

**ST 3000 Smart Transmitter  
Gage Pressure (GP) &  
Absolute Pressure (AP)  
Series 100**

**Model Selection Guide**



**Instructions**

- Select the desired Key Number. The arrow to the right marks the selection available.
- Make one selection from each Table (I, II and IV) using the column below the proper arrow.
- Select as many Table III options as desired plus a required communications option selection.
- A (●) denotes unrestricted availability. A letter denotes restricted availability.
- Restrictions follow Table IV.

Key Number	I	II	III (Optional)	IV
-----	----	0000	-----	XXXX

**KEY NUMBER**

	Design	Span	Selection	Availability					
Gage Pressure	Single Head	0-5 to 0-500 psi / 0-0.34 to 0-35 bar	STG140		↓				
		0-30 to 0-3,000 psi / 0-2.1 to 0-210 bar	STG170		↓				
		0-60 to 0-6,000 psi / 0-4.1 to 0-420 bar	STG180			↓			
	In-Line	0-5 to 0-500 psi / 0-0.34 to 0-35 bar	STG14L				↓		
		0-30 to 0-3,000 psi / 0-2.1 to 0-210 bar	STG17L				↓		
		0-60 to 0-6,000 psi / 0-4.1 to 0-420 bar	STG18L				↓		
Absolute Pressure	Single Head	0-50 to 0-780 mm HgA / 0-67 to 0-1,040 mbarA	STA122	↓					
		0-5 to 0-500 psi/0-0.34 to 0-35 bar absolute	STA140		↓				
	In-Line	0-50 to 0-780 mm HgA / 0-67 to 0-1,040 mbarA	STA12L						↓
		0-5 to 0-500 psia / 0-0.34 to 0-35 barA	STA14L					↓	
		0-30 to 0-3,000 psia / 0-2.1 to 0-210 barA	STA17L					↓	

**Important Note:** Base STG and STA models no longer include a default communications option. All units now require the selection of a communication option from Table III (AN, DE, HC, H6 or FF).

**TABLE I - METER BODY**

	Wetted Process Heads / Bonnet	Vent/Drain Valves	Barrier Diaphragms	Selection									
Materials of Construction	Carbon Steel <sup>1</sup>	-	316L SS	A__	●	●	●	●	●				
	Carbon Steel <sup>1</sup>	-	Hastelloy® C-276 <sup>3</sup>	B__	●	●	●	●					
	Carbon Steel <sup>1</sup>	-	Monel 400® <sup>4</sup>	C__	19	19	19	19					
	316 SS <sup>5</sup>	-	316L SS	E__	●	●	●	●					
	*	-	316L SS	E__					●	●	●	●	
	316 SS <sup>5</sup>	-	Hastelloy® C-276 <sup>3</sup>	F__	●	●	●	●					
	*	-	Hastelloy® C-276 <sup>3</sup>	F__					●	●	●	●	
	316 SS <sup>5</sup>	-	Monel 400® <sup>4</sup>	G__	19	19	19	19					
	Hastelloy® C-276 <sup>3,6</sup>	-	Hastelloy® C-276 <sup>3</sup>	J__	●	●	●	●					
Monel 400® <sup>7</sup>	-	Monel 400® <sup>4</sup>	L__	19	19	19	19						
Fill Fluid	Silicone DC®200 <sup>8</sup>			_1_	●	●	●	●	●	●	●	●	●
	CTFE (Halocarbon 6.3)			_2_	●	●	●	●	●	●	●	●	●
	CTFE (MO-10)			_4_	●								●
Process Connection Configuration	9/16" - 18 Aminco			__A	●	●	●	●	●	●	●	●	●
	1/2 NPT (female)			__G	●	●	●	●	●	●	●	●	●
	1/2 NPT (male)			__H									●
	DIN 19213			__D									●

<sup>1</sup> Carbon Steel heads are zinc-plated and not recommended for water service due to hydrogen migration. For that service, use 316 stainless steel Wetted Process Heads.  
<sup>3</sup> Hastelloy® C-276 or UNS N10276  
<sup>4</sup> Monel 400® or UNS N04400  
<sup>5</sup> Supplied as 316 SS or as Grade CF8M, the casting equivalent of 316 SS.  
<sup>6</sup> Supplied as indicated or as Grade CW12MW, the casting equivalent of Hastelloy® C-276  
<sup>7</sup> Supplied as indicated or as Grade M30C, the casting equivalent of Monel 400®  
<sup>8</sup> Use DC®704 option when the STA122 or STA12L will be operating below 50mm HgA, see Fig. 2 in Specification 34-ST-03-65.  
 \* STG1\_L has 316L SS process interface.

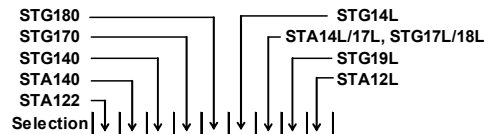


TABLE II

No Selection	0	0	0	0	0	0	0	0	0	0	0	0	0	0	0	0	0	0	0
--------------	---	---	---	---	---	---	---	---	---	---	---	---	---	---	---	---	---	---	---

TABLE III - OPTIONS

Communication Options (Must choose a communications option)																			
Analog only (can be configured using appropriate Honeywell DE tool)	AN	.	.	.	.	.	.	.	.	.	.	.	.	.	.	.	.	.	.
DE Protocol communications	DE	.	.	.	.	.	.	.	.	.	.	.	.	.	.	.	.	.	.
HART® 5.x Protocol Compatible Electronics	HC	.	.	.	.	.	.	.	.	.	.	.	.	.	.	.	.	.	.
HART® 6.x Protocol Compatible Electronics	H6	.	.	.	.	.	.	.	.	.	.	.	.	.	.	.	.	.	.
FOUNDATION™ Fieldbus Communications	FF	r	r	r	r	r	r	r	r	r	r	r	r	r	r	r	r	r	r
<b>Indicating Meter Options</b>																			
Analog Meter (0-100 Even 0-10 Square Root)	ME	.	.	.	.	.	.	.	.	.	.	.	.	.	.	.	.	.	.
Smart Meter	SM	.	.	.	.	.	.	.	.	.	.	.	.	.	.	.	.	.	.
Custom Configuration of Smart Meter	CI	e	e	e	e	e	e	e	e	e	e	e	e	e	e	e	e	e	e
Local Zero & Span	ZS	.	.	m	m	m	m	m	m	m	m	m	m	m	m	m	m	m	m
Local Zero	LZ	.	.	x	x	x	x	x	x	x	x	x	x	x	x	x	x	x	x
<b>Transmitter Housing &amp; Electronics Options</b>																			
No housing conduit plugs come standard with the ST 3000.																			
For certain approval codes, you <b>must</b> select a certified conduit plug from below and it will come packaged in the box with your transmitter.																			
316 SS <sup>5</sup> Electronics Housing - (with M20 Conduit Connections)	SH	n	n	n	n	n	n	n	n	n	n	n	n	n	n	n	n	n	n
316 SS <sup>5</sup> Electronics Housing - (with M20 to 1/2 NPT 316 SS Conduit Adapter for use with FM and CSA Approval codes)	A3	i	i	i	i	i	i	i	i	i	i	i	i	i	i	i	i	i	i
1/2 NPT to M20 316 SS Conduit Adaptor (Certified ATEX, CSA & IECEx)	A1	n	n	n	n	n	n	n	n	n	n	n	n	n	n	n	n	n	n
1/2 NPT to 3/4 NPT 316 SS Conduit Adaptor (Certified ATEX, CSA & IECEx)	A2	.	.	.	.	.	.	.	.	.	.	.	.	.	.	.	.	.	.
M20 Male to 1/2 NPT Female 316 SS Conduit Adaptor (Certified ATEX, CSA & IECEx)	A4	.	.	.	.	.	.	.	.	.	.	.	.	.	.	.	.	.	.
1/2 NPT Zinc-plated Certified Conduit Plug (ATEX, CSA & IECEx)	A5	.	.	.	.	.	.	.	.	.	.	.	.	.	.	.	.	.	.
1/2 NPT 316 SS Certified Conduit Plug (ATEX, CSA & IECEx)	A6	.	.	.	.	.	.	.	.	.	.	.	.	.	.	.	.	.	.
M20 316 SS Certified Conduit Plug (ATEX, CSA & IECEx)	A7	.	.	.	.	.	.	.	.	.	.	.	.	.	.	.	.	.	.
1/2 NPT Non-certified Conduit plug (Zinc-plated carbon steel, general use)	A8	.	.	.	.	.	.	.	.	.	.	.	.	.	.	.	.	.	.
NAMUR Failsafe Software	NE	15	15	15	15	15	15	15	15	15	15	15	15	15	15	15	15	15	15
SIL 2 - TÜV Certified transmitter (requires HC/H6 and WP options)	SL	p	p	p	p	p	p	p	p	p	p	p	p	p	p	p	p	p	p
Lightning Protection	LP	.	.	.	.	.	.	.	.	.	.	.	.	.	.	.	.	.	.
Custom Calibration and I.D. in Memory	CC	.	.	.	.	.	.	.	.	.	.	.	.	.	.	.	.	.	.
Transmitter Configuration - (non-Fieldbus)	TC	15	15	15	15	15	15	15	15	15	15	15	15	15	15	15	15	15	15
Transmitter Configuration - (Fieldbus)	FC	21	21	21	21	21	21	21	21	21	21	21	21	21	21	21	21	21	21
Write Protection (Delivered in "ON" position)	WP	.	.	.	.	.	.	.	.	.	.	.	.	.	.	.	.	.	.
Write Protection (Delivered in "OFF" position)	WX	g	g	g	g	g	g	g	g	g	g	g	g	g	g	g	g	g	g
Stainless Steel Customer Wired-On Tag (4 lines, 26 characters per line, customer supplied information)	TG	.	.	.	.	.	.	.	.	.	.	.	.	.	.	.	.	.	.
Stainless Steel Customer Wired-On Tag (blank)	TB	.	.	.	.	.	.	.	.	.	.	.	.	.	.	.	.	.	.
High Accuracy	HA	.	.	d	.	.	.	.	.	.	.	.	.	.	.	.	.	.	.
<b>Meter Body Options</b>																			
A286 SS (NACE) Bolts and 304 SS (NACE) Nuts for Head	CR	.	.	.	.	.	.	.	.	.	.	.	.	.	.	.	.	.	.
316 SS Bolts and 316 SS Nuts for Process Heads	SS	.	.	f	f	f	.	.	.	.	.	.	.	.	.	.	.	.	.
Modified DIN Process Heads - 316 SS	DN	w	w	w	w	w	.	.	.	.	.	.	.	.	.	.	.	.	.
Viton® Process Head Gasket (Teflon® is standard)	VT	.	.	z	z	z	.	.	.	.	.	.	.	.	.	.	.	.	.
Graphite Process Head Gasket	GF	.	.	.	.	.	.	.	.	.	.	.	.	.	.	.	.	.	.
Teflon® Process Head Gasket (Viton® is standard)	TF	.	.	.	.	.	.	.	.	.	.	.	.	.	.	.	.	.	.
<b>Transmitter Mounting Bracket Options</b>																			
Angle Mounting Bracket - Carbon Steel	MB	.	.	.	.	.	.	.	.	.	.	.	.	.	.	.	.	.	.
Marine Approved Angle Mounting Bracket - Carbon Steel	MX	.	.	.	.	.	.	.	.	.	.	.	.	.	.	.	.	.	.
Angle Mounting Bracket - 304 SS	SB	.	.	.	.	.	.	.	.	.	.	.	.	.	.	.	.	.	.
Marine Approved Angle Mounting Bracket - 304 SS	SX	.	.	.	.	.	.	.	.	.	.	.	.	.	.	.	.	.	.
Flat Mounting Bracket - Carbon Steel	FB	.	.	.	.	.	.	.	.	.	.	.	.	.	.	.	.	.	.
<b>Services/Certificates/Marine Type Approval Options</b>																			
User's Manual Paper Copy (Standard, HC, H6 or FF ships accordingly)	UM	.	.	.	.	.	.	.	.	.	.	.	.	.	.	.	.	.	.
Clean Transmitter for Oxygen or Chlorine Service with Certificate (50039190)	OX	h	h	h	h	h	h	h	h	h	h	h	h	h	h	h	h	h	h
Over-Pressure Leak Test with Certificate (F3392)	TP	.	.	.	.	.	.	.	.	.	.	.	.	.	.	.	.	.	.
Calibration Test Report and Certificate of Conformance (F3399)	F1	.	.	.	.	.	.	.	.	.	.	.	.	.	.	.	.	.	.
Certificate of Conformance (F3391)	F3	.	.	.	.	.	.	.	.	.	.	.	.	.	.	.	.	.	.
Certificate of Origin (F0195)	F5	.	.	.	.	.	.	.	.	.	.	.	.	.	.	.	.	.	.
SIL Certificate (SIL 2/3) (FC33337)	FE	22	22	22	22	22	22	22	22	22	22	22	22	22	22	22	22	22	22
NACE Certificate (Process-Wetted & Non-Process Wetted) (FC33339)	F7	o	o	o	o	o	o	o	o	o	o	o	o	o	o	o	o	o	o
NACE Certificate (Process-Wetted) (FC33338)	FG	.	.	.	.	.	.	.	.	.	.	.	.	.	.	.	.	.	.
Material Traceability Certification per EN 10204 3.1 (FC33341)	FX	.	.	.	.	.	.	.	.	.	.	.	.	.	.	.	.	.	.
Marine Type Approvals (DNV, ABS, BV, KR & LR) (FC33340)	MT	2	2	2	2	2	2	2	2	2	2	2	2	2	2	2	2	2	2

Table III continued next page

<sup>5</sup> Supplied as 316 SS or as Grade CF8M, the casting equivalent of 316 SS.  
<sup>8</sup> Viton® or Fluorocarbon Elastomer  
<sup>9</sup> Teflon® or PTFE

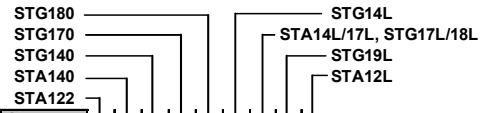


TABLE III - OPTIONS (continued)

Warranty Options	Selection	STG180	STG170	STG140	STA140	STA122	STG14L	STA14L/17L, STG17L/18L	STG19L	STA12L
Additional Warranty - 1 year	W1	•	•	•	•	•	•	•	•	•
Additional Warranty - 2 years	W2	•	•	•	•	•	•	•	•	•
Additional Warranty - 3 years	W3	•	•	•	•	•	•	•	•	•
Additional Warranty - 4 years	W4	•	•	•	•	•	•	•	•	•
Lifetime Warranty - 15 years	WL	•	•	•	•	•	•	•	•	•

Approval Body	Approval Type	Location or Classification	Selection																
No hazardous location approvals			9X	•	•	•	•	•	•	•	•	•	•	•	•	•	•	•	
FM Approvals <sup>SM</sup>	Explosion Proof	Class I, Div. 1, Groups A,B,C,D	1C	•	•	•	•	•	•	•	•	•	•	•	•	•	•	•	
	Dust-Ignitionproof	Class II, III Div. 1, Groups E,F,G		•	•	•	•	•	•	•	•	•	•	•	•	•	•	•	•
	Non-Incendive	Class I, Div. 2, Groups A,B,C,D		•	•	•	•	•	•	•	•	•	•	•	•	•	•	•	•
	Intrinsically Safe	Class I, II, III, Div. 1, Groups A,B,C,D,E,F,G		•	•	•	•	•	•	•	•	•	•	•	•	•	•	•	•
ATEX <sup>10</sup> (LCIE)	Intrinsically Safe, Zone 0	Ex ia IIC T4 (Ta = -50°C to +93°C); T5 (Ta = -50°C to +85°C); T6 (Ta = -50°C to +70°C) Enclosure IP 66/67	3S	•	•	•	•	•	•	•	•	•	•	•	•	•	•	•	
				•	•	•	•	•	•	•	•	•	•	•	•	•	•	•	•
	Intrinsically Safe, Zone 1	Ex ia IIC T4 (Ta = -50°C to +93°C); T5 (Ta = -50°C to +85°C); T6 (Ta = -50°C to +70°C) Enclosure IP 66/67	3S	•	•	•	•	•	•	•	•	•	•	•	•	•	•	•	•
				•	•	•	•	•	•	•	•	•	•	•	•	•	•	•	•
	Dust-tight Enclosure, Zone 0	Ex tD A20 IP6X T95°C (at Ta = 93°C) or T80°C (at Ta = 78°C) Enclosure IP 66/67	33	24	24	24	24	24	24	24	24	24	24	24	24	24	24	24	24
				•	•	•	•	•	•	•	•	•	•	•	•	•	•	•	•
	Flameproof and Dust-tight Enclosure, Zone 1	Ex d IIC T5 (Ta = -40°C to +93°C), T6 (Ta = -40°C to +78°C) Supply 11- 42Vdc Ex tD A21 IP6X T95°C (at Ta = 93°C) or T80°C (at Ta = 78°C) Enclosure IP 66/67	33	24	24	24	24	24	24	24	24	24	24	24	24	24	24	24	24
				•	•	•	•	•	•	•	•	•	•	•	•	•	•	•	•
	Non-Sparking, Zone 2	Ex nA, IIC T5 (Ta = -40°C to +93°C), T6 (Ta = -40°C to +78°C); Zone 2 Supply < 42Vdc, 23mA Ex tD A22 IP6X T95°C (at Ta = 93°C) or T80°C (at Ta = 78°C) (Honeywell). Enclosure IP 66/67	3N	•	•	•	•	•	•	•	•	•	•	•	•	•	•	•	•
				•	•	•	•	•	•	•	•	•	•	•	•	•	•	•	•
•				•	•	•	•	•	•	•	•	•	•	•	•	•	•	•	•
Multiple Marking <sup>11</sup> Int. Safe, Zone 0/1 and Dust-tight Enclosure, or Flameproof, Zone 1 and Dust-tight Enclosure, or Non-Sparking, Zone 2	Ex ia IIC T4 (Ta = -50°C to +93°C); T5 (Ta = -50°C to +85°C); T6 (Ta = -50°C to +70°C); Ui = 30V; li = 100mA Ex tD A20 IP6X T95°C (at Ta = 93°C) or T80°C (at Ta = 78°C) Ex d IIC T5 (Ta = -40°C to +93°C), T6 (Ta = -40°C to +78°C) Supply 11- 42Vdc Ex tD A21 IP6X T95°C (at Ta = 93°C) or T80°C (at Ta = 78°C) Ex nA, IIC T5 (Ta = -40°C to +93°C), T6 (Ta = -40°C to +78°C); Zone 2 Supply < 42Vdc, 23mA Ex tD A22 IP6X T95°C (at Ta = 93°C) or T80°C (at Ta = 78°C) (Honeywell) Enclosure IP 66/67	3C	24	24	24	24	24	24	24	24	24	24	24	24	24	24	24	24	
			•	•	•	•	•	•	•	•	•	•	•	•	•	•	•	•	•
			•	•	•	•	•	•	•	•	•	•	•	•	•	•	•	•	•

Table III Approvals continued next page



STG180  
 STG170  
 STG140  
 STA140  
 STA122

STG14L  
 STA14L/17L, STG17L/18L  
 STG19L  
 STA12L

**TABLE III - OPTIONS (continued)**

Approval Body	Approval Type	Location or Classification	Selection															
Canadian Standards Association (CSA)	Explosion Proof	Class I, Div. 1, Groups B,C,D	2J															
	Dust-Ignitionproof	Class II, III, Div. 1, Groups E,F,G		24	24	24	24	24	24	24	24	24	24	24	24	24	24	24
	Intrinsically Safe	Class I, II, III, Div. 1, Groups A,B,C,D,E,F,G																
IECEX	Flameproof, Zone 1	<b>Ex d IIC;</b> T5 (Ta = -40 to +93°C), T6 (Ta = -40 to +78°C)	CA	24	24	24	24	24	24	24	24	24	24	24	24	24	24	
	Intrinsically Safe, Zone 0/1	<b>Ex ia IIC;</b> T3, T4, T5, T6 See Spec for detailed temperature codes by Communications option																
SAEx (South Africa)	Intrinsically Safe, Zone 0/1	<b>Ex ia IIC</b> T4, T5, T6	Z2	•	•	•	•	•	•	•	•	•	•	•	•	•	•	
	Flameproof, Zone 1	<b>EX d IIC</b> T5, T6 Enclosure IP 66/67	ZD	•	•	•	•	•	•	•	•	•	•	•	•	•	•	
	Multiple Marking <sup>11</sup> Int. Safe, Zone 0/1, or Flameproof, Zone 1	<b>Ex ia IIC</b> T4, T5, T6 <b>Ex d IIC</b> T5, T6 Enclosure IP 66/67	ZA	•	•	•	•	•	•	•	•	•	•	•	•	•	•	
CERTUSP INMETRO (Brazil)	Flameproof, Zone 1	<b>BR- Ex d IIC</b> T5, T6	6D	•	•	•	•	•	•	•	•	•	•	•	•	•	•	
	Intrinsically Safe, Zone 0/1	<b>BR- Ex ia IIC;</b> T4, T5, T6 (See CERTUSP certificate for detailed temperature codes by Communications option)	6S	•	•	•	•	•	•	•	•	•	•	•	•	•	•	

<sup>10</sup> See ATEX installation requirements in the ST 3000 User's Manual  
<sup>11</sup> The user must determine the type of protection required for installation of the equipment. The user shall then check the box [x] adjacent to the type of protection used on the equipment certification nameplate. Once a type of protection has been checked on the nameplate, subsequently the equipment shall not be reinstalled using any of the other certification types.

**TABLE IV**

	Selection																
Factory Identification	XXXX	•	•	•	•	•	•	•	•	•	•	•	•	•	•	•	•

**RESTRICTIONS**

Restriction Letter	Available Only With		Not Available With	
	Table	Selection	Table	Selection
<b>b</b>		Select only one option from this group		
<b>d</b>	I	A __, E __		
<b>e</b>	III	SM		
<b>f</b>			III	2J
<b>g</b>			III	SL
<b>h</b>	I	_ 2 _		
<b>i</b>	III	1C or 2J		
<b>m</b>			III	STA12L, STA14L, ME, FF
<b>n</b>			III	1C, 2J
<b>o</b>	III	CR		
<b>p</b>	III	HC or H6 and WP	III	FF, WX
<b>r</b>	III	FISCO/FNICO compliance available only with 1C	III	TC, ME, or FISCO/FNICO compliance not available 2J, 3C, 3N, 33, 3S, CA, Z2, ZD, ZA, 6D & 6S
<b>w</b>	I	E _ G, F _ G, G _ G		
<b>x</b>	III	FF, SM	Key#	STA12L, STA14L
<b>z</b>			I	B __, F __, J __
<b>2</b>	III	MX, SX	III	FB, MB, SB
<b>4</b>	III	This approval code requires the selection of a certified conduit plug: A5, A6 or A7	III	No CRN Number available
<b>15</b>			III	FF
<b>19</b>			III	F7, FG
<b>21</b>	III			FF
<b>22</b>	III			SL
<b>24</b>	III	This approval code requires the selection of a certified conduit plug: A5, A6 or A7		

**Ordering Example: STG140-A1A-00000-HC,NE,3H+XXXX**

Hastello® is a registered trademark of Haynes International  
 Monel 400® is a registered trademark of Special Metals Corporation.  
 HART® is a registered trademark of HART Communication Foundation.  
 FOUNDATION™ Fieldbus is a trademark of Fieldbus Foundation.  
 Viton® is a registered trademark of DuPont Performance Elastomers.  
 Teflon® is a registered trademark of DuPont.  
 DC®200 and DC®704 are registered trademarks of Dow Corning.

**For More Information**

Learn more about how Honeywell's ST 3000 Smart Pressure Transmitters can increase performance, reduce downtime and decrease configuration costs, visit our website [www.honeywell.com/ps](http://www.honeywell.com/ps) or contact your Honeywell account manager.

**Honeywell Process Solutions**

1860 West Rose Garden Lane  
Phoenix, AZ 85027  
1-800-423-9883 or 1-800-343-0228

[www.honeywell.com/ps](http://www.honeywell.com/ps)

34-ST-03-61  
June 2011  
© 2010 Honeywell International Inc.

The Honeywell logo is displayed in a bold, red, sans-serif font.