



**Sensepoint / Signalpoint
2000 Collecting Cone**

02000-A-1642 COLLECTING CONE

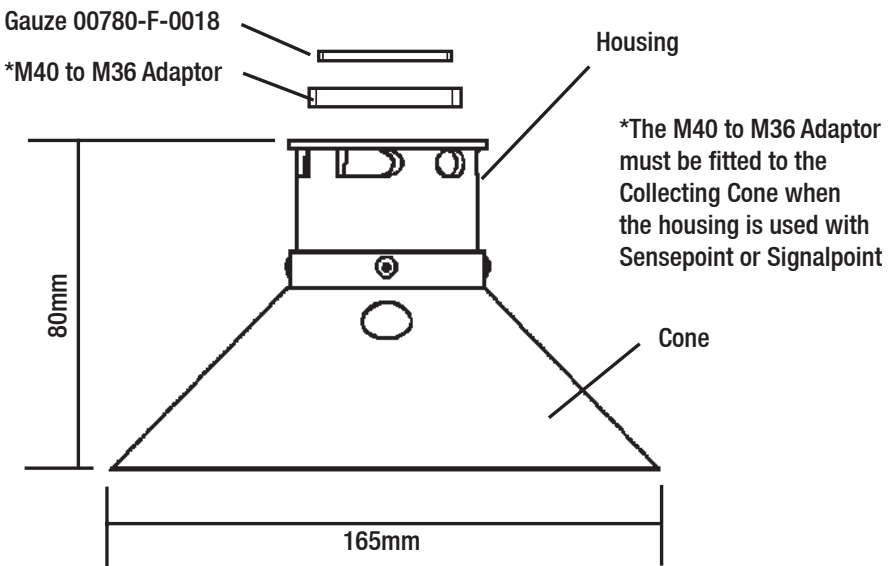
For use with Series 2000, Sensepoint and Signalpoint products

IMPORTANT

For use with Combustible Sensors only.

The Collecting Cone is used to increase the captive area when detecting lighter than air gases.

To aid calibration, the Collecting Cone contains a gassing nozzle.



Before attaching the Collecting Cone to the sensor, ensure that the gauze and rubber seal are in good condition. These should be checked periodically for signs of damage or blockage.

Find out more

www.honeywellanalytics.com

Contact Honeywell Analytics:**Europe, Middle East, Africa, India**

Life Safety Distribution AG
Weiherallee 11a
CH-8610 Uster
Switzerland
Tel: +41 (0)44 943 4300
Fax: +41 (0)44 943 4398
gasdetection@honeywell.com

Americas

Honeywell Analytics Inc.
405 Barclay Blvd.
Lincolnshire, IL 60069
USA
Tel: +1 847 955 8200
Toll free: +1 800 538 0363
Fax: +1 847 955 8210
detectgas@honeywell.com

Asia Pacific

Honeywell Analytics Asia Pacific
#508, Kolon Science Valley (I)
187-10 Guro-Dong, Guro-Gu
Seoul, 152-050
Korea
Tel: +82 (0)2 6909 0300
Fax: +82 (0)2 2025 0329
analytics.ap@honeywell.com

Technical Services

EMEA: HAexpert@honeywell.com
US: ha.us.service@honeywell.com
AP: ha.ap.service@honeywell.com

www.honeywell.com

**Please Note:**

While every effort has been made to ensure accuracy in this publication, no responsibility can be accepted for errors or omissions. Data may change, as well as legislation, and you are strongly advised to obtain copies of the most recently issued regulations, standards, and guidelines. This publication is not intended to form the basis of a contract.

Issue 2 08/2010
H_MAN0520_EMEA1
2106-M-0508_ECO A03374
© 2010 Honeywell Analytics