

Product Overview

Sensepoint XCD

Honeywell

Sensepoint XCD Overview

- **Flammable, toxic and oxygen gas detectors**
 - 3 wire (sink/source) 4-20mA output + relays
 - Modbus RS-485 / RTU
 - Replaces Sensepoint Pro and other 3 wire 4-20mA
- **Non Intrusive 1 man operation**
 - Magnetic switches
- **Plug in Catalytic, IR and ECC sensors**
- **Common transmitter platform**
 - Simplified and reduced cost of installation
 - Reduced training time and cost
 - Less chance of incorrectly configuring / interpreting readings/messages
 - Reduced maintenance spares stock and cost
- **Tri-colour backlit LCD for status indication**
- **Hazardous area certified**
 - UL, CSA, cUL, Inmetro, and ATEX
 - Flameproof transmitter (LM25 or 316 SS)



Sensepoint XCD Part Numbering System

Honeywell

Detector part number:

1. Select certification

- ◆ UL/CSA/Inmetro or ATEX/IECEX

2. Select enclosure material type

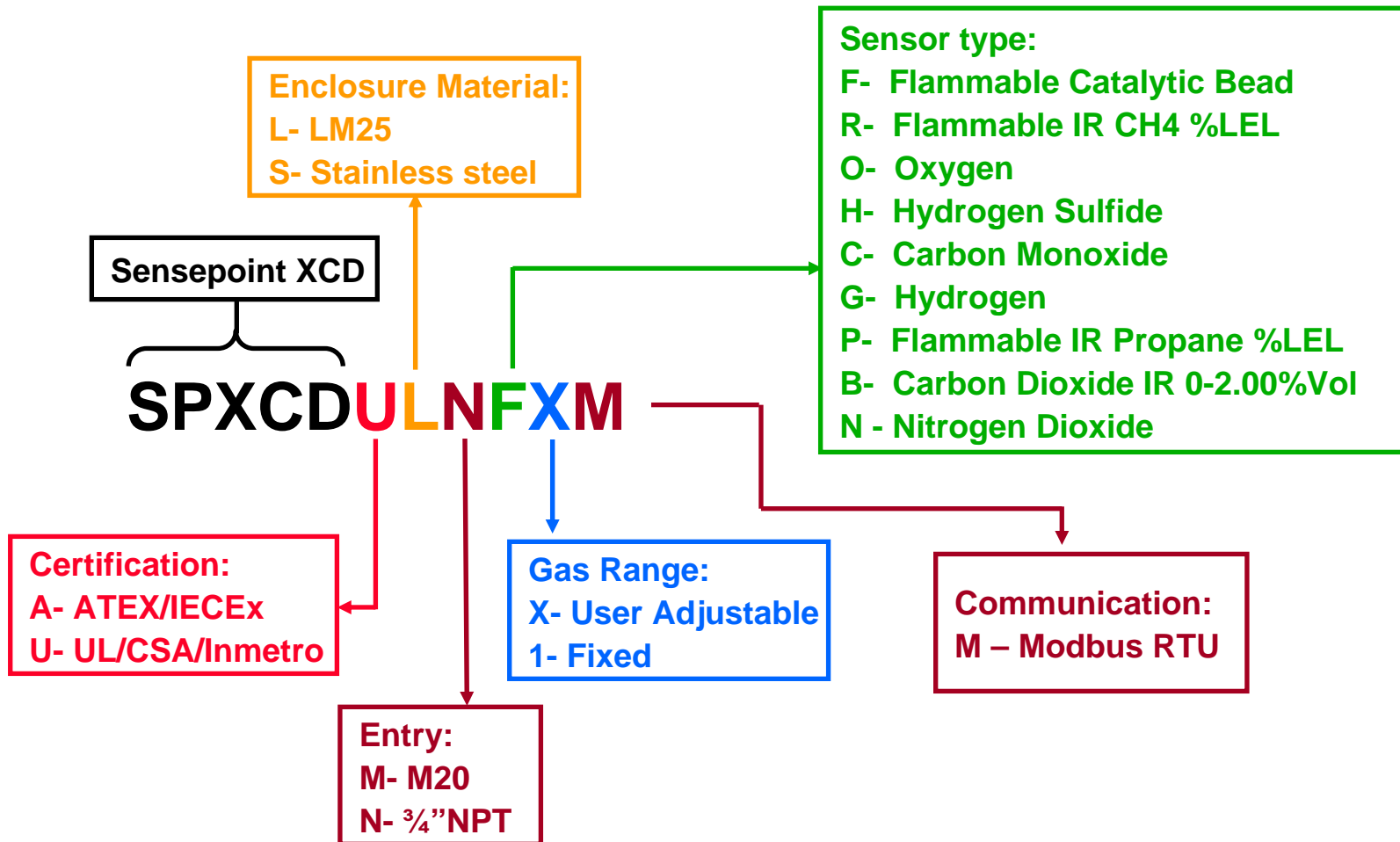
- ◆ Painted aluminium alloy LM25
- ◆ Painted 316 stainless steel

3. Select sensor gas type

- ◆ Catalytic %LEL CH₄, 1* to 8* %LEL
- ◆ Infrared %LEL CH₄, %LEL C₃H₈,
CO₂ 0-2.00%Vol
- ◆ Electrochemical cell O₂, H₂S, CO, H₂, NO₂



Sensepoint XCD Part Numbering System



Sensepoint XCD Sensor Families



| Sensepoint XCD Sensor Families, Gases and Ranges | | | | | | | | |
|--|--------------------------------|----------------------------------|-----------------|----------|--------------------------|--|-----------|--|
| | Gas | User Selectable Full Scale Range | Default Range | Steps | Selectable Cal Gas Range | Default Cal Point | | |
| Sensor Family | Catalytic Bead Sensors | | | | | | | |
| | mV | Flammable 1 to 8* | 20 to 100%LEL | 100%LEL | 10%LEL | 30 to 70% of selected full scale range | 50%LEL | |
| | | Infrared Sensors | | | | | | |
| | | Methane | 20 to 100%LEL | 100%LEL | 10%LEL | | 50%LEL | |
| | | Propane | 20 to 100%LEL | 100%LEL | 10%LEL | | 50%LEL | |
| | Carbon Dioxide | 2%Vol. | 2%Vol. | 0.1%Vol. | 1%Vol. | | | |
| | Electrochemical Sensors | | | | | | | |
| | EC | Hydrogen Sulfide | 10 to 100ppm | 50.0ppm | 0.1 ppm | | 10ppm | |
| | | Carbon Monoxide | 100 to 1,000ppm | 300ppm | 100ppm | | 100ppm | |
| | | Hydrogen | 1,000ppm only | 1,000ppm | n/a | | 500ppm | |
| | | Nitrogen Dioxide | 10 to 50ppm | 10ppm | 5ppm | | 5ppm. | |
| | O ₂ | Oxygen | 25%Vol. only | 25%Vol. | n/a | 20.9%Vol. (Fixed) | 20.9%Vol. | |

*Contact HA for Availability of %Vol. IR

Modular design



- **Plug-in modules simplify maintenance**
 - Display, terminal, sensor modules easy to fit and replace
 - Minimal number of parts required
 - No need for 'specialist' knowledge for basic maintenance
- **Sensor replacement**
 - External plug in sensor
- **Non-intrusive operation**
 - Removes need for 'hot work' permit
 - Minimizes time for routine maintenance

Sensepoint XCD Ordering Information

Honeywell

- **Complete product has two parts:**
 - Pre configured sensor
 - Transmitter includes
 - ◆ Integral mounting lugs
 - ◆ Magnetic tool
 - ◆ Sensor weather protection
 - ◆ Manuals (on CD ROM)
- **Optional accessories to suit application**
 - Gassing Cap
 - Collecting cone
 - Remote sensor mounting kit
 - Duct mounting kit
 - Pipe mounting bracket
 - Sunshade/deluge cover

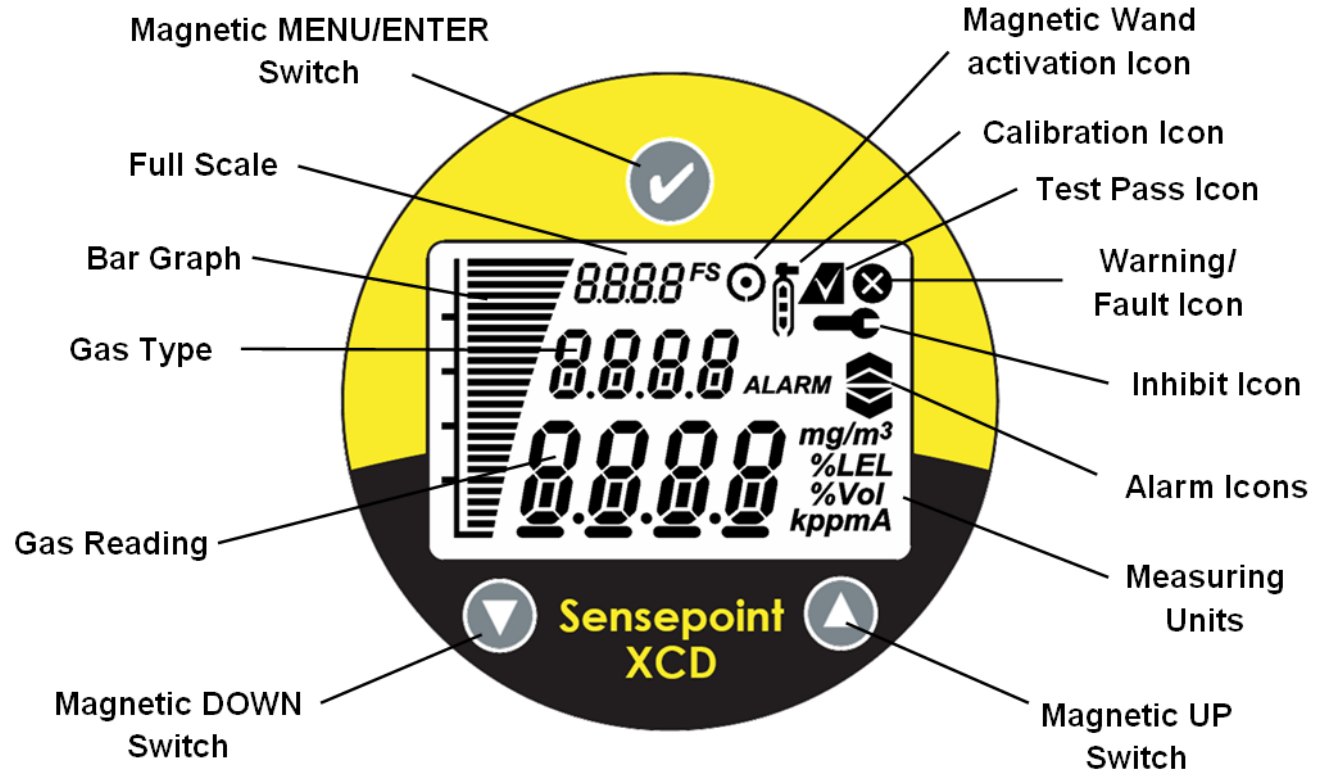
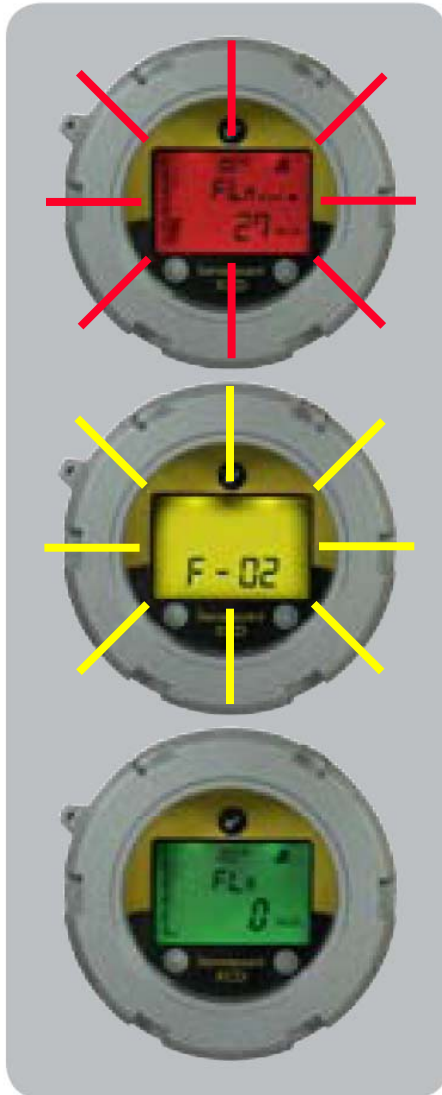


Reflex™ Detection Cell Diagnostics

- Reflex™ is a Honeywell Analytics patented fault diagnostic routine for electrochemical cells
- Reflex™ increases operator confidence of detector operability and availability
- Reflex™ is initiated automatically by the transmitter
 - On transmitter power up
 - During sensor exchange
 - At 8 hourly intervals during operation
- Reflex™ checks for:
 - Cell presence
 - Cell dry out
 - Cell open circuit and cell short circuit
 - (Note: Not relevant for O₂ detection. Does not remove the need for regular response gas checks or calibration).

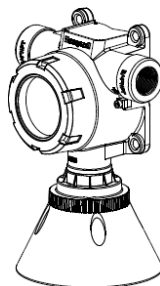
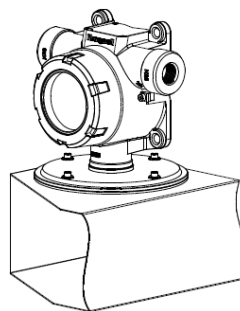
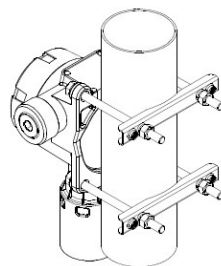
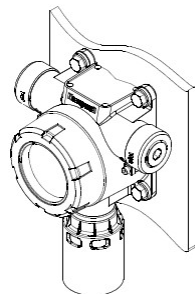
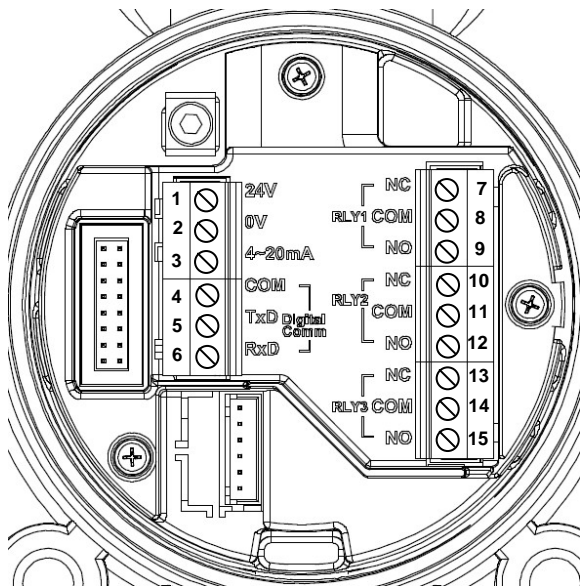


Simple non intrusive operation

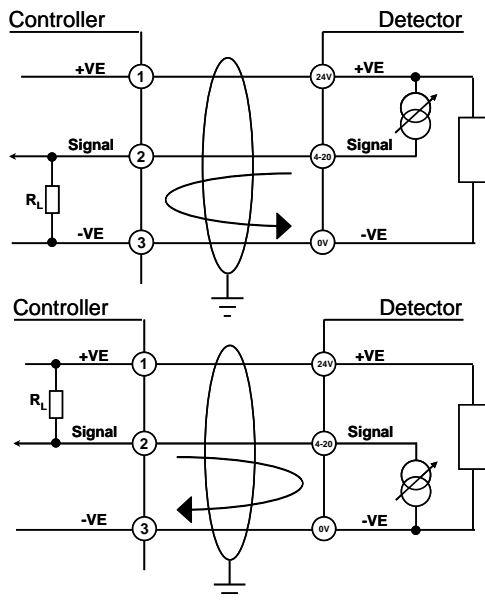


- Tricolour backlit LCD
- Instantly recognisable 'Traffic Light' colours
- Clear indication of unit status- even from a distance
- Simple Magnetic switch operation

Simple installation



- **Removable display module**
 - Enables unhindered access to terminals
- **Wall or pipe mount**
 - Optional pipe mount bracket included with every unit
- **Collecting cone**
 - Replaces weatherproof cover
 - Includes inlet for remote gassing
- **Duct mount arrangement**
 - Clamping ring for duct
 - Removable plate attaches to ring
 - Detector attaches to the plate
 - External inlet for remote gassing
- **Sink or source wiring**
 - Switch selectable
 - Flexible to preferred topology



Sensepoint XCD Summary

- **Reduced installation costs**
 - **Common design for all detectors**
 - ◆ Same tools/installation methods reduces install costs
- **Reduced operation costs**
 - **Same user interface for all detectors**
 - ◆ Less chance of incorrectly configuring/interpreting readings/messages increases detector up time
 - ◆ Reduced training time reduces training costs
- **Reduced maintenance costs**
 - **Replaceable plug in sensors**
 - ◆ Less time and cost to maintain detectors
 - **Many common spare parts**
 - ◆ Reduced maintenance/spares stock level and cost
- **Increased safety**
 - **Unique tri-colour LCD provides**
 - ◆ Unambiguous status at a glance improves safety
 - ◆ Easy to see which detectors are operating normally, need service attention or in alarm
 - ◆ Intuitive traffic light colours provide clear message even to 'un-trained' personnel
 - ◆ Clearly visible, even from a distance warns personnel from entering unsafe area
 - ◆ Easier to locate units detectors that are often dotted around a facility increases safety and reduces maintenance time/costs
 - ◆ Simple and effective.

