



Arsine (AsH_3)

MIDAS-S-ASH

MIDAS-E-ASH

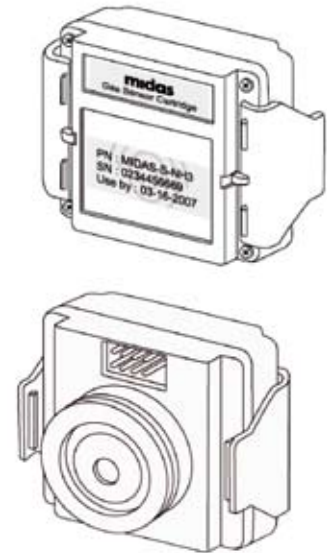
Arsine (AsH₃)

MIDAS-S-ASH

MIDAS-E-ASH



Midas® sensor cartridges are intended for use only with Honeywell Analytics Midas® Gas Detector System. Please refer to the Midas® Technical Manual for further details.



Gas Measured	Measured Arsine (AsH ₃)
Cartridge Part Number	MIDAS-S-ASH 1 year standard warranty MIDAS-E-ASH 2 year extended warranty
Sensor Technology	3 electrode electrochemical cell
Measuring Range (ppm)	AsH ₃ 0 – 0.2ppm
Minimum Alarm 1 Set Point	0.025ppm
Lower Detectable Limit (LDL)	0.018ppm
Repeatability	< ± 5% of measured value
Linearity	< ± 10% of measured value
Response Time t_{92.5}	< 20 seconds
Sensor Cartridge Life Expectancy	≥ 24 months under typical application conditions
Operating Temperature	0°C to + 40°C (32°F to 104°F)
Effect of Temperature	< ± 0.0006 ppm / °C (0° to 20°C) < ± 0.0024 ppm / °C (20° to 40°C)
Zero	
Sensitivity	< ± 1% of measured value / °C
Operating Humidity (continuous)	10 – 90% rH non-condensing
Effect of Humidity	
Zero	Initial short term drift at abrupt rH change (< 0.005 ppm / % rH)
Sensitivity	< ± 0.5% of measured value / % rH
Operating Pressure	90 – 110kPa
Effect of Position	No effect in typical application
Long Term Drift	
Zero	< 0.05ppm / year
Sensitivity	< 5% of measured value / 6 months
Calibration Gas	Arsine (AsH ₃)
Challenge Gas (Bump Test)	Phosphine (PH ₃)
Warm Up Time	< 20 minutes
Storage Temperature	+5°C to +25°C (+41°F to +77°F)

The sensor data listed is based on ideal test environment; observed performance may vary based on the actual monitoring system and the sampling conditions employed

General Specification



Midas® is a registered trademark of Honeywell Analytics.

As with all electrochemical sensor cells, dramatic output changes in reported concentrations can be expected under rapidly changing environmental conditions. Please ensure sensors are located in areas not prone to sudden changes in humidity and temperature.

Actual readings may be affected by flow rates (although Midas® automatically controls flow rates within specified ranges) and absorption on tubing and other gas path surfaces.

All sensors are shipped pre-calibrated to traceable national standards. Dependent on actual operating conditions and overall exposure to gases, each sensor may not require in-field calibration for up to 24 months subject to any requirements to calibrate from local regulations or site practices.

Calibration and challenge gases should be from a certified and reliable source.

Cross Sensitivities

Each Midas® sensor is potentially cross sensitive to other gases and this may cause a gas reading when exposed to other gases than those originally designated. The table below presents typical readings that will be observed when a new sensor cartridge is exposed to the cross sensitive gas (or a mixture of gases containing the cross sensitive species).

Gas / Vapour	Chemical Formula	Concentration applied (ppm)	Reading (ppm Ash ₃)
Ammonia	NH ₃	100	0.1
Carbon Monoxide	CO	100	0
Carbon Dioxide	CO ₂	5000	0
Chlorine	Cl ₂	1	-0.07
Diborane	B ₂ H ₆	0.25	0.18
Germane	GeH ₄	0.2	0.14
Hydrocarbons	% Range		0
Hydrogen	H ₂	3000	0
Hydrogen Chloride	HCl	5	0
Hydrogen Cyanide	HCN	8	0.2
Hydrogen Sulphide	H ₂ S	0.8	0.2
Iso Propanol	C ₃ H ₇ OH	2000	0
Nitrogen Dioxide	NO ₂	10	-2.0
Phosphine	PH ₃	0.1	0.13
Silane	SiH ₄	0.2	0.15
Sulphur Dioxide	SO ₂	2	0.2

Our Product Range



Fixed Gas Monitoring

Honeywell Analytics offers a wide range of fixed gas detection solutions for a diverse array of industries and applications including: Commercial properties, industrial applications, semiconductor manufacturers, energy plants and petrochemical sites.

- » Detection of flammable, oxygen and toxic gases (including exotics)
- » Innovative use of 4 core sensing technologies – paper tape, electrochemical cell, catalytic bead and infrared
- » Capability to detect down to Parts Per Billion (ppb) or Percent by Volume (%v/v)
- » Cost effective regulatory compliance solutions

Portable Gas Monitoring

When it comes to personal protection from gas hazards, Honeywell Analytics has a wide range of reliable solutions ideally suited for use in confined or enclosed spaces.

These include:

- » Detection of flammable, oxygen and toxic gases
- » Single gas personal monitors – worn by the individual
- » Multi-gas portable gas monitors – used for confined space entry and regulatory compliance
- » Multi-gas transportable monitors – used for temporary protection of area during site construction and maintenance activities

Technical Services

At Honeywell Analytics, we believe in the value of great service and customer care. Our key commitment is providing complete and total customer satisfaction. Here are just a few of the services we can offer:

- » Full technical support
- » Expert team on hand to answer questions and queries
- » Fully equipped workshops to ensure quick turnaround on repairs
- » Comprehensive service engineer network
- » Training on product use and maintenance
- » Mobile calibration service
- » Customised programmes of preventative/corrective maintenance
- » Extended warranties on products

Find out more

www.honeywellanalytics.com

Contact Honeywell Analytics:

Europe, Middle East, Africa

Life Safety Distribution AG
Wilstrasse 11-U31
CH-8610 Uster
Switzerland
Tel: +41 (0)44 943 4300
Fax: +41 (0)44 943 4398
gasdetection@honeywell.com

Americas

Honeywell Analytics Distribution, Inc.
405 Barclay Blvd.
Lincolnshire, IL 60069
USA
Tel: +1 847 955 8200
Toll free: +1 800 538 0363
Fax: +1 847 955 8208
detectgas@honeywell.com

Asia Pacific

Honeywell Analytics Asia Pacific
#508, Kolon Science Valley (1)
187-10 Guro-Dong, Guro-Gu
Seoul, 152-050,
Korea
Tel: +82 (0)2 2025 0307
Fax: +82 (0)2 2025 0329
analytics.ap@honeywell.com

Technical Services

ha.emea.service@honeywell.com

www.honeywell.com

Please Note:

While every effort has been made to ensure accuracy in this publication, no responsibility can be accepted for errors or omissions. Data may change, as well as legislation, and you are strongly advised to obtain copies of the most recently issued regulations, standards, and guidelines. This publication is not intended to form the basis of a contract.

H_MIDAS-E/S-ASH_DS_V2_EMEA

10/07

© 2007 Honeywell Analytics

Honeywell