



**Connects a Midas®
gas transmitter to
LonWorks® network**

Midas® LonWorks® Interface Module

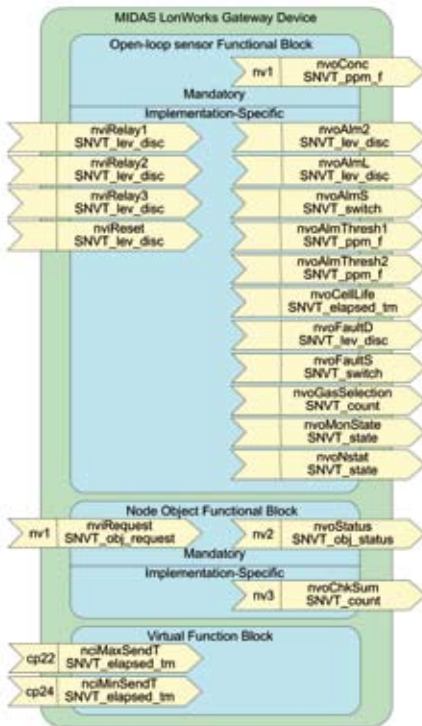


Features:

- Compatible with existing life safety LonWorks® communication networks
- Small foot print module for ease of installation and DIN rail mounting capable
- Flexible connections to hook power and connections within a LonWorks® loop
- Broad range of diagnostics, data fields and real time readings
- Remote control of 3 programmable on board relays for lower cost control and annunciation options
- Gas transmitter can be replaced without further need for re-binding the detector neuron ID
- Service button to broadcast the neuron ID for ease of set up

An optional module that connects a Midas® gas transmitter to a new or an existing LonWorks® life safety network.

A single connection point provides power and communications to both the LonWorks® module and the Midas® gas transmitter. A single easy access connection point provides power and communications to both the LonWorks® module and the Midas® gas transmitter. The Midas® LonWorks® Interface Module also enables a Midas® transmitter and pyrolyzer combination to be powered and connected to the LonWorks® network. Remote reset, local or remote relay activation and a complete set of diagnostic outputs are standard features.



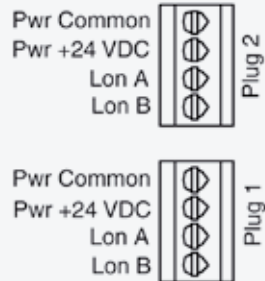
Module Dimensions	Midas® LonWorks® Interface Module
Size (without Midas® unit)	120 x 100 x 35mm (H x W x D)
Weight (without Midas® unit)	1.0kg
Power Requirements	
Operating Voltage	24VDC Nominal + / - 15%
Output to Midas Transmitter	48VDC via proprietary Power over Ethernet (PoE) connection
Power Consumption	
LonWorks Module	~ 3.0W
Module with Midas	~ 8.0W
Module with Midas & Pyrolyzer	~ 15.0W
Outputs	
Visual	LED indicates network status
Digital Communications	LonWorks® digital communication within a 78kbps FTT sub-loop system
Relays	Local activation of three (3) on board Midas® relays for fault and alarm or remote activation of 3 relays using LonWorks®
Inputs	
Service Test Mode Button	Broadcasts the LonWorks® neuron ID
Certification & Specification	
RFI EMC	CE marked: meets EN 5022:1998 Amendment A2 and EN 5024 (24V supply)
Operating Temperature	
Module with Midas Unit	0°C (32°F) to 40°C (104°F)
Wiring Requirement	
Power	16 AWG Maximum 1.5mm ²
LonWorks® Transceiver	FT-10
Warranty	
Module	1 year
Ordering Information	
Midas® LonWorks® Interface Module	MIDAS-T-LON

General Specification

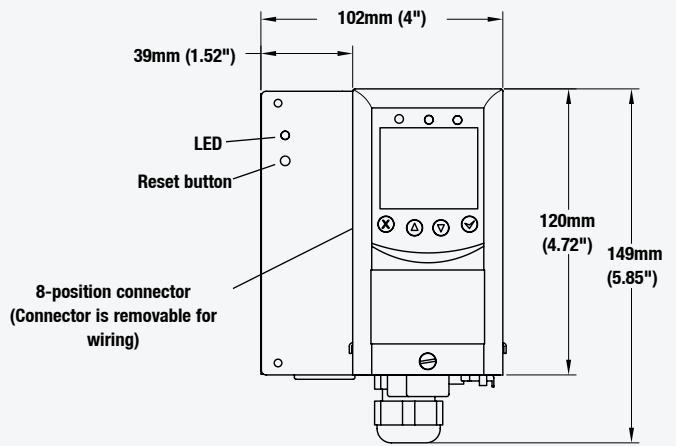
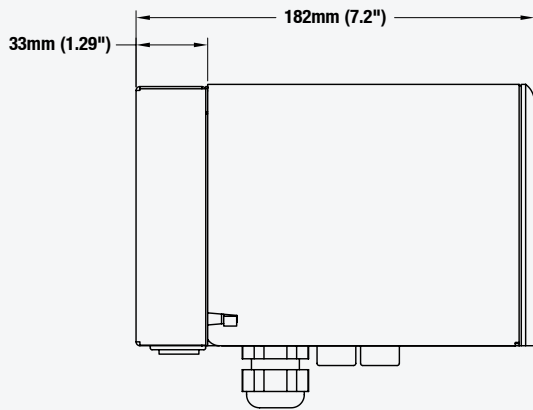


Wiring Diagram

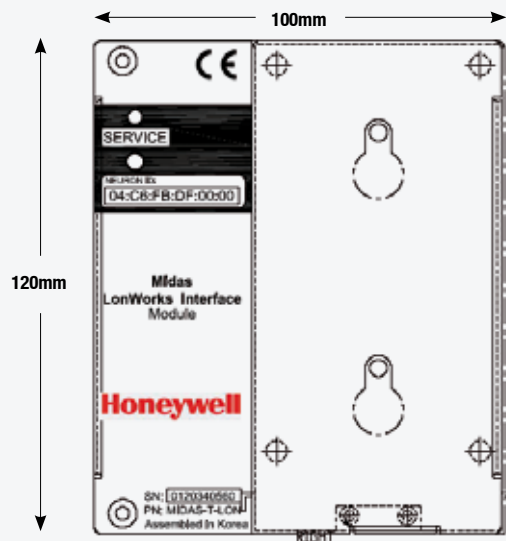
Power and LonWorks® connections can be reversed for ease of installation. Redundant plug type connectors facilitate easy wiring in the LonWorks® loop.



Dimensions



Installation



Short length cross over shielded Ethernet connector cable (MIDAS-A-040) is supplied as standard. Mounting bracket to install Midas® on the front panel of the LON Interface Module is provided as standard. Mounting screws to connect LON Interface to a vertical surface are not provided and must be sourced separately.

Our Product Range



Fixed Gas Monitoring

Honeywell Analytics offers a wide range of fixed gas detection solutions for a diverse array of industries and applications including: Commercial properties, industrial applications, semiconductor manufacturers, energy plants and petrochemical sites.

- » Detection of flammable, oxygen and toxic gases (including exotics)
- » Innovative use of 4 core sensing technologies – paper tape, electrochemical cell, catalytic bead and infrared
- » Capability to detect down to Parts Per Billion (ppb) or Percent by Volume (%v/v)
- » Cost effective regulatory compliance solutions

Portable Gas Monitoring

When it comes to personal protection from gas hazards, Honeywell Analytics has a wide range of reliable solutions ideally suited for use in confined or enclosed spaces.

These include:

- » Detection of flammable, oxygen and toxic gases
- » Single gas personal monitors – worn by the individual
- » Multi-gas portable gas monitors – used for confined space entry and regulatory compliance
- » Multi-gas transportable monitors – used for temporary protection of area during site construction and maintenance activities

Technical Services

At Honeywell Analytics, we believe in the value of great service and customer care. Our key commitment is providing complete and total customer satisfaction. Here are just a few of the services we can offer:

- » Full technical support
- » Expert team on hand to answer questions and queries
- » Fully equipped workshops to ensure quick turnaround on repairs
- » Comprehensive service engineer network
- » Training on product use and maintenance
- » Mobile calibration service
- » Customised programmes of preventative/corrective maintenance
- » Extended warranties on products

Find out more

www.honeywellanalytics.com

Contact Honeywell Analytics:

Europe, Middle East, Africa

Life Safety Distribution AG
Wilstrasse 11-U31
CH-8610 Uster
Switzerland
Tel: +41 (0)44 943 4300
Fax: +41 (0)44 943 4398
gasdetection@honeywell.com

Americas

Honeywell Analytics Distribution, Inc.
405 Barclay Blvd.
Lincolnshire, IL 60069
USA
Tel: +1 847 955 8200
Toll free: +1 800 538 0363
Fax: +1 847 955 8208
detectgas@honeywell.com

Asia Pacific

Honeywell Analytics Asia Pacific
#508, Kolon Science Valley (1)
187-10 Guro-Dong, Guro-Gu
Seoul, 152-050,
Korea
Tel: +82 (0)2 2025 0307
Fax: +82 (0)2 2025 0329
analytics.ap@honeywell.com

Technical Services

ha.emea.service@honeywell.com

www.honeywell.com

Please Note:

While every effort has been made to ensure accuracy in this publication, no responsibility can be accepted for errors or omissions. Data may change, as well as legislation, and you are strongly advised to obtain copies of the most recently issued regulations, standards, and guidelines. This publication is not intended to form the basis of a contract.

H_MIDAS_T-LON_DS_V2_EMEA

10/07

© 2007 Honeywell Analytics

Honeywell