

AirGuard FGT Series



RF surge protection for the fixed wireless market with applications for LMDS, WLL, and MMDS.

- **Weatherproof**
- **Rugged construction**
- **Economic protection**
- **Versatile up to DC - 2.5GHz**
- **Allows DC/LF injection**
- **Multiple strike capability**



The FGT Series of surge protection devices prevents surges and transient overvoltages conducted through coax cables used for wireless Local Multipoint Distribution System (LMDS), Wireless Local Loop (WLL), and Multichannel Multipoint Distribution Service (MMDS). These versatile products can be used in any "F" connector application from DC - 2.5GHz frequencies to 75 ohm impedance.

Typical applications for the FGT Series include the protection of radio telemetry systems, mobile communications base stations and where high induced voltages may be present.

Receivers and transmitters are particularly vulnerable to damage from the effects of lightning. Their remote locations (height above ground) and physical construction make them vulnerable to lightning activity. The use of semiconductors and integrated circuits in transmitters and receivers has rendered them

particularly prone to damage from these disturbances.

Excellent performance levels are achieved using high energy gas discharge tubes to offer high surge current capability in a rugged, economic, compact enclosure to produce superior surge suppression.

The use of gas tube technology in surge protection applications is a mature and well proven technology. When used in RF coax applications, this technology provides broadband, low cost solutions while still maintaining high surge current capacity.

Complete site protection can be achieved by using MTL Surge Technologies' wide range of AC and DC power surge protection devices to prevent surges entering equipment
v i a

their power supply. The ZoneMaster range of protectors combine a high level of protection and when used in conjunction with the ZoneBarrier data protection modules, provide the highest level of site protection available.

RF Coax Protection

Specification

All figures typical at 77°F (25°C) unless otherwise stated

Maximum discharge current
20kA (8/20µs)

Maximum power rating (VSWR)
1.5:1 @ 1.5GHz

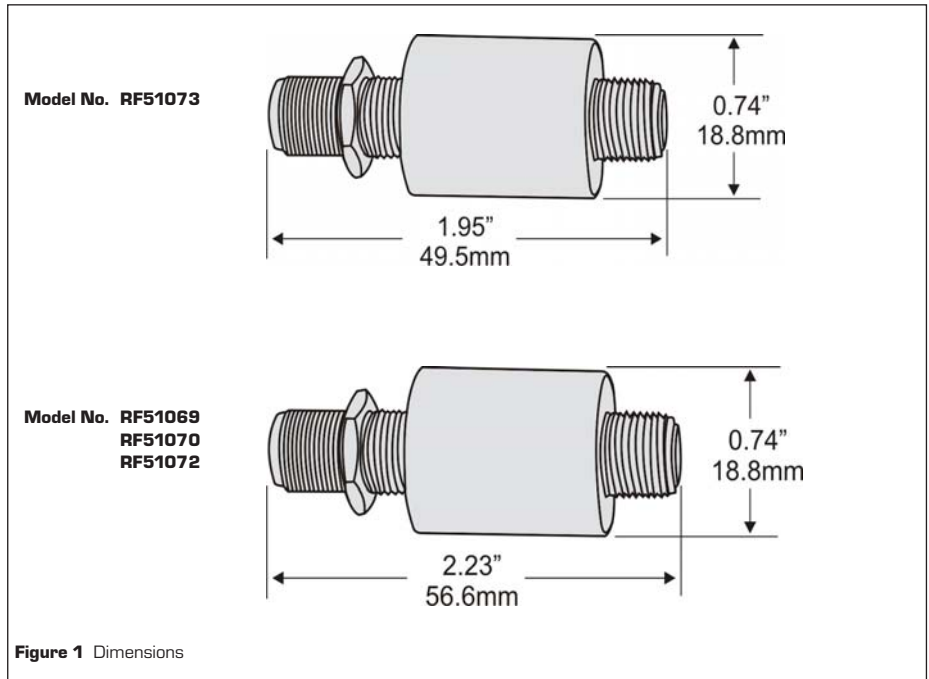
Frequency Range
DC to 2.5GHz

Peak Pulse Current (8/20µs)
15kA - 20kA

Impedance
75 Ω

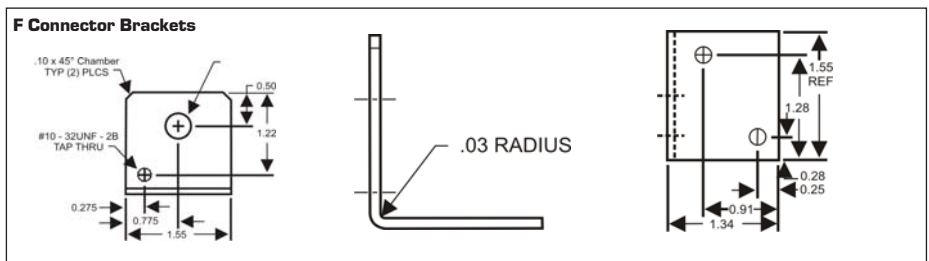
Model	Connectors	Frequency Range (GHz)	VSWR	Insertion Loss (dB)	Peak Pulse Current (8µs x 20µs)	Impedance (Ω)
RF51069	F(f) Bulkhead to F(f) (for LMDS/RG 6 Cable)	DC - 2.5	1.5:1 @1.5GHz	.4	20kA	75
RF51070	F(f) Bulkhead to F(f) (for LMDS/RG 59 Cable)	DC - 2.5	1.5:1 @1.5GHz	.4	20kA	75

Model	Connectors	Frequency Range (GHz)	Return Loss (dB)	Insertion Loss (dB)	Peak Pulse Current (8µs x 20µs)	Impedance (Ω)
RF51072	F(f) Bulkhead to F(f)	DC - 2.5	-18	.03	20kA	75
RF51073	F(f) Bulkhead to F(f)	DC - 1.0	-20	.1	15kA	75



Brackets

Model	Connectors	Diameter
RF51076	F	0.385" (0.98cm)



Note: In accordance with our policy of continuous improvement, we reserve the right to change the product's specification without notice.

For more information please contact your local MTL sales office:

The Americas: +1 800 835 7075
UK: +44 (0)1582 723633
Singapore: +65 6 487 7887
The Netherlands: +31 (0)481 450250
Italy: +39 (0)2 6180 2011
Australia: +61 (0)8 9455 2994
India: +91 (0)44 450 1660

Local sales office information is also available on our web site at:
www.mtlsurge.com/support/distribution/index.htm