

MTL4626

SWITCH-OPERATED RELAY

2-channel switched output

The MTL4626 enables two separate circuits to be contact controlled by one or two, on/off, control inputs. Applications include the calibration of strain-gauge bridges; changing the polarity (and thereby the tone) of a sounder; the testing of fire alarms; and the transfer of signals into an annunciator with input terminals not segregated from each other.

SPECIFICATION

See also common specification

Number of channels

Two, fully floating

Input/output characteristics

Contact/Logic mode

(Inputs suitable for switch contacts, an open-collector transistor or logic drive)

Relay energised if $< 450\Omega$ or $< 1V$ applied

Relay de-energised if $> 5k\Omega$ or $> 2V$ applied (35V max.)

Loop powered mode

Relay energised if $> 20V$

Relay de-energised if $< 17V$

Power supply failure protection

Relays de-energised if supply fails

Response time

25ms nominal

Contacts

1-pole changeover per channel

Contact rating

250V dc, 2A

(reactive loads must be suppressed)

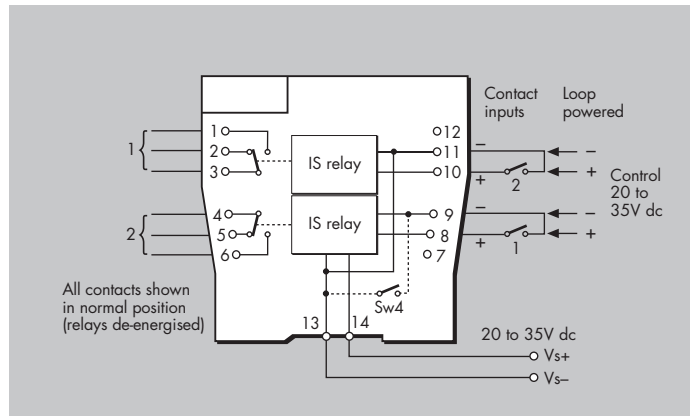
Contact life expectancy

10×10^6 operations at maximum load

Relay drive (see switch setting table)

Choice of "loop-powered" or "contact/logic" control, for both channels, by switch selection. A further switch option ("1in2out") enables either input, in contact/logic mode, to activate *both* outputs.

MTL4626



LED indicators

Green: power indication

Yellow: two: output status, on when relay energised

Power requirement, Vs

41mA at 20V dc

44mA at 24V dc

60mA at 35V dc

Power dissipation within unit

1.1W maximum at 24V

User switch settings for operating mode

Mode	Function	SW1	SW2	SW3	SW4
Contact/Logic	2 ch	Off	On	On	On
	1in2out	On	On	On	On
Loop Powered	2 ch	Off	Off	Off	Off

The given data is only intended as a product description and should not be regarded as a legal warranty of properties or guarantee. In the interest of further technical developments, we reserve the right to make design changes.



EUROPE (EMEA): +44 (0)1582 723633
enquiry@mtl-inst.com

THE AMERICAS: +1 800 835 7075
csinfo@mtl-inst.com

ASIA-PACIFIC: +65 6 645 9888
sales.mtising@cooperindustries.com

EPS4626 Rev3 241111